

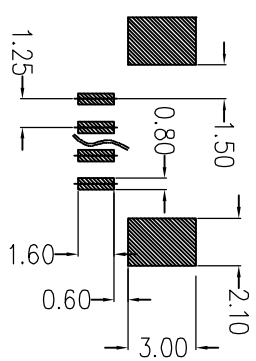
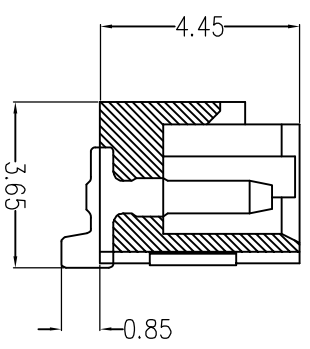
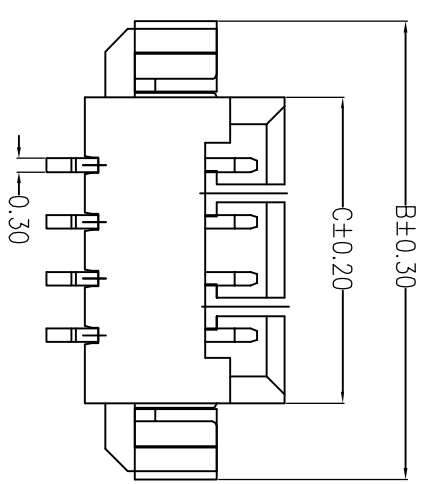
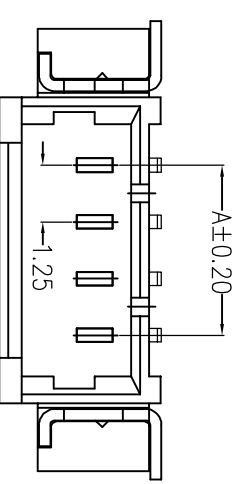
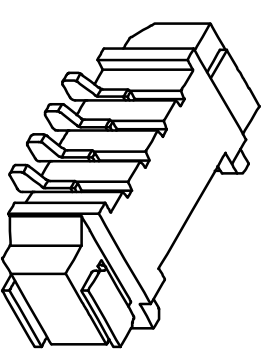
REV.	DESCRIPTION	DATE

**Material:**

1. Housing: Heat Resistant Plastic, UL94V-0 Related .
2. Terminal: Copper alloy, Tin-plated.

**Electrical:**

1. Current rating : 1A AC/DC.
2. Voltage rating : 125V AC/DC.
3. Temperature range : -25°C to +85°C.
4. Contact resistance: 20mΩ max.
5. Insulation resistance: 100MΩ min.
6. Withstanding voltage: 250V AC/minute.



**PCB Layout**

Circuits	Dimensions		
	A (mm)	B (mm)	C (mm)
02P	1.25	7.55	4.25
03P	2.50	8.80	5.50
04P	3.75	10.05	6.75
05P	5.00	11.30	8.00
06P	6.25	12.55	9.25
07P	7.50	13.80	10.50
08P	8.75	15.05	11.75
09P	10.00	16.30	13.00
10P	11.25	17.55	14.25
11P	12.50	18.80	15.50
12P	13.75	20.05	16.75
13P	15.00	21.30	18.00
14P	16.25	22.55	19.25
15P	17.50	23.80	20.50
16P	18.75	25.05	21.75

<b>TOLERANCE</b> X ± 0.20 XX ± 0.15 XXX ± 0.10		<b>DRAWER</b> <i>Shaw Shuen Siu</i>	
<b>UNITS : mm</b>		<b>CHECK</b> <i>Shaw Shuen Siu</i>	
		<b>DESIGNED</b> <i>Shaw Shuen Siu</i>	
<b>SCALE</b> FREE		<b>APPROVAL</b> <i>Shaw Shuen Siu</i>	
<b>SIZE</b> A4		<b>DATE</b> 2/10/2011	
<b>PART NO.</b> MWTB-P125R-SMTXX		<b>NAME</b> 1.25mm Water 90° SMT type	
<b>REV.</b> 1 OF 1		<b>DRAWING</b> MWTB-P125R-SMT	

**SynLight** 日亮電子科技有限公司  
*Sun-Light Electronic Technologies Inc*