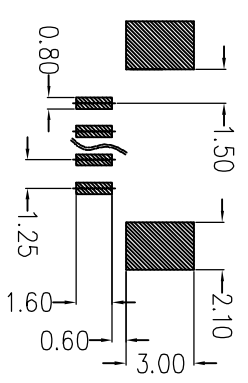
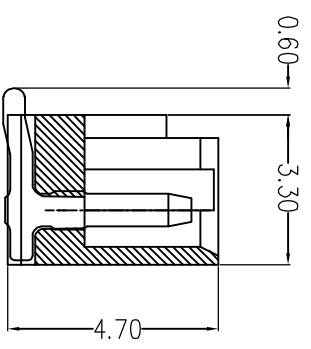
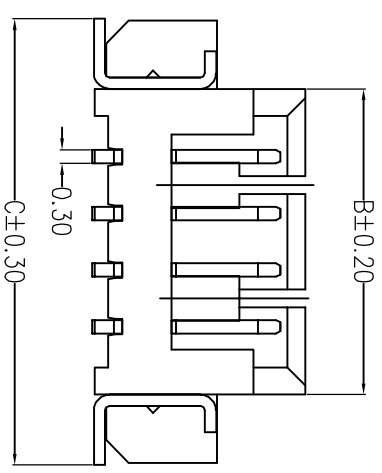
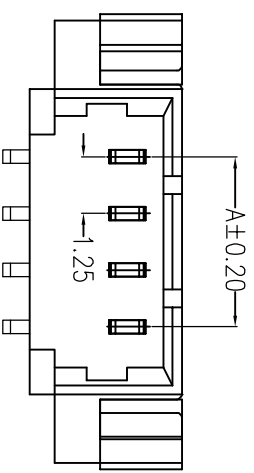
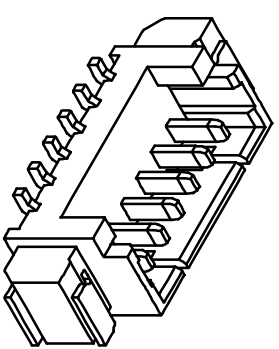


REV.	DESCRIPTION	DATE



PCB Layout

Circuits	Dimensions		
	A (mm)	B (mm)	C (mm)
02P	1.25	4.25	7.45
03P	2.50	5.50	8.70
04P	3.75	6.75	9.95
05P	5.00	8.00	11.20
06P	6.25	9.25	12.45
07P	7.50	10.50	13.70
08P	8.75	11.75	14.95
09P	10.00	13.00	16.20
10P	11.25	14.25	17.45
11P	12.50	15.50	18.70
12P	13.75	16.75	19.95
13P	15.00	18.00	21.20
14P	16.25	19.25	22.45
15P	17.50	20.50	23.70
16P	18.75	21.75	24.95

- Material:**
- Housing: Heat Resistant Plastic, UL94V-0 Related.
 - Terminal: Copper alloy, Tin-plated.
- Electrical:**
- Current rating : 1A AC,DC.
 - Voltage rating : 125V AC,DC.
 - Temperature range : -25°C to +85°C.
 - Contact resistance: 20mΩ max.
 - Insulation resistance: 100MΩ min.
 - Withstanding voltage: 250V AC/minute.

<p>TOLERANCE</p> <p>X ± 0.20</p> <p>XX ± 0.15</p> <p>XXX ± 0.10</p>		<p>DRAWER</p> <p>Checked <i>Shaw Sheng Shiu</i></p> <p>Check <i>Shaw Sheng Shiu</i></p>	
<p>UNITS : mm</p>		<p>DESIGNED</p> <p><i>Shaw Sheng Shiu</i></p>	
<p>SCALE FREE</p>		<p>APPROVAL</p> <p><i>Shaw Sheng Shiu</i></p>	
<p>DATE 2/10/2011</p>		<p>NAME</p> <p>1.25mm Water 180° SMT type</p>	
<p>PART NO. MW/TB-P125-SMTXX</p>		<p>日亮電子科技有限公司</p> <p><i>Sun-Light Electronic Technologies Inc.</i></p>	
<p>SIZE A4</p>		<p>DRAWING NO. MW/TB-P125-SMT</p>	
<p>SHEET 1 OF 1</p>		<p>REV. A</p>	