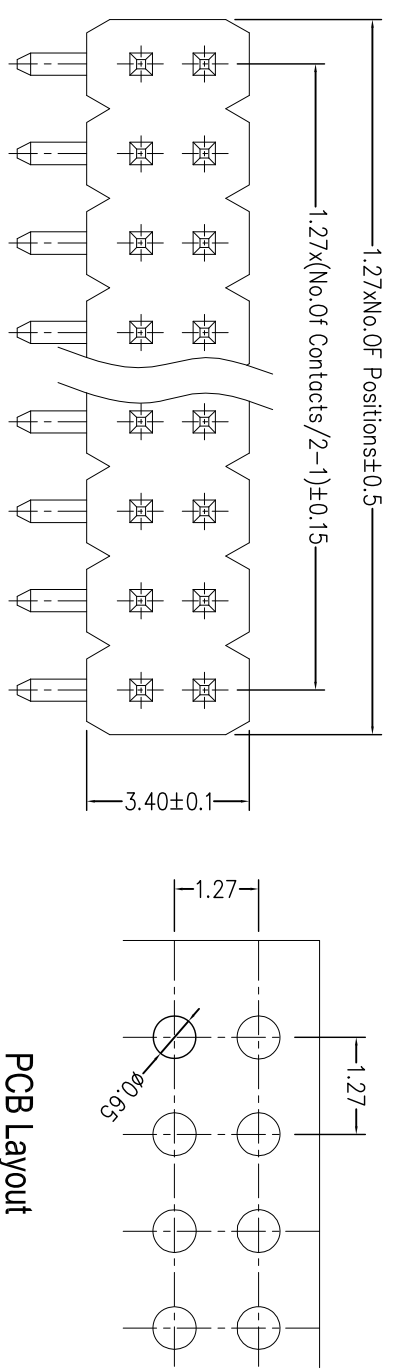


REV.	DESCRIPTION	DATE

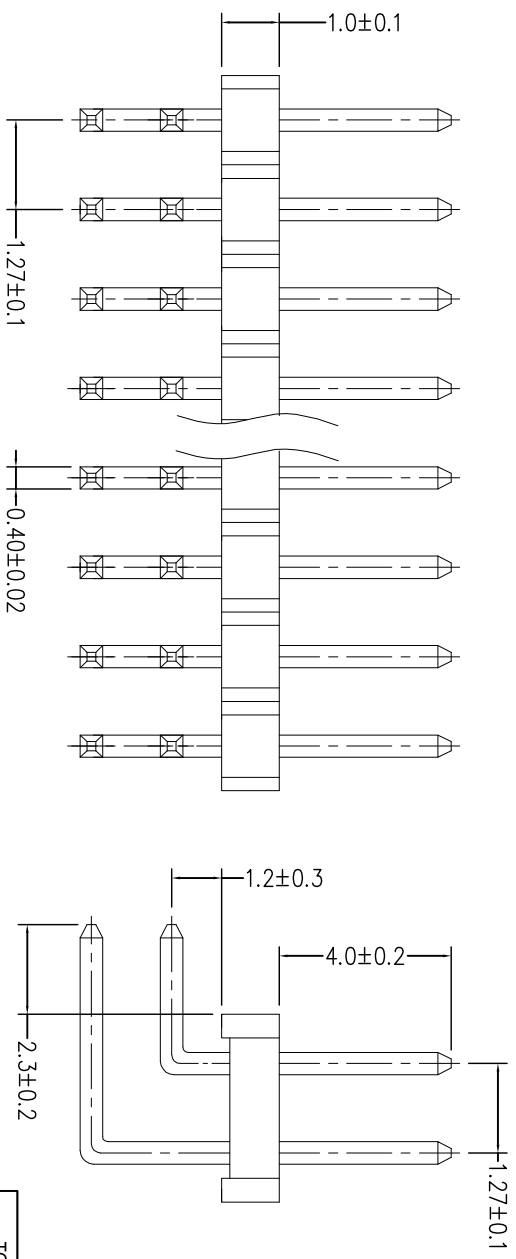


PCB Layout

NOTE:
Material:
 1. Housing: Polyester, UL 94V-0.
 2. Terminal: Copper alloy. Gold-plated.

Electrical:
 1. Current rating: 1 Amp.
 2. Insulator resistance: 1000MΩ Min.
 3. Dielectric withstand: AC 500 V.
 4. Temperature: -40°C ~ +105°C

Available pins: 04~100 contacts



TOLERANCE X ±.XX XX ±.XX XXX ±.XX		DRAWER <i>Chiu Chuan Siau</i>	
UNITS : mm		CHECK <i>Mhi Jony Siau</i>	
		DESIGNED <i>Chiu Chuan Siau</i>	
NAME SynLight 日亮電子科技有限公司 <i>Sun-Light Electronic Technologies Inc.</i>		APPROVAL <i>Shaw Tseng Siau</i>	
1.27mm Pin Header H:1.00 DIP 90° Type Double row Nylon-6T		DATE 01 / 06 / 2011	
SCALE 6 : 1		PART NO. P1270-H10-D90-XX	
SIZE A4		DRAW NO. P1270-H10-D90	
SHEET 1 OF 1		REV.	
A		A	