

REV.	DESCRIPTION	DATE

NOTE:

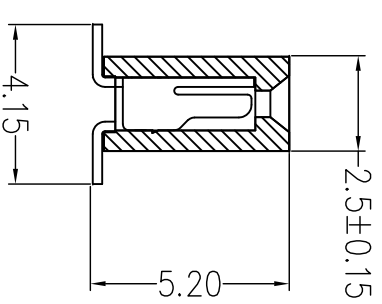
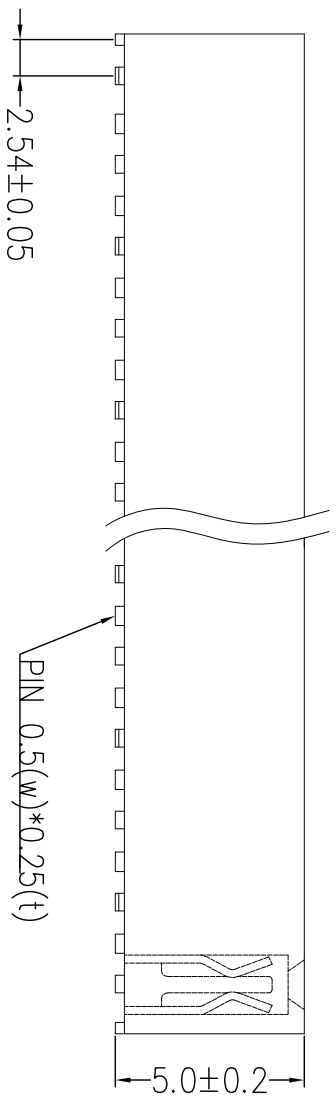
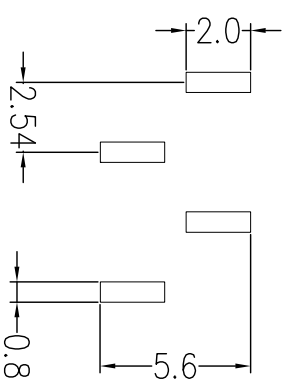
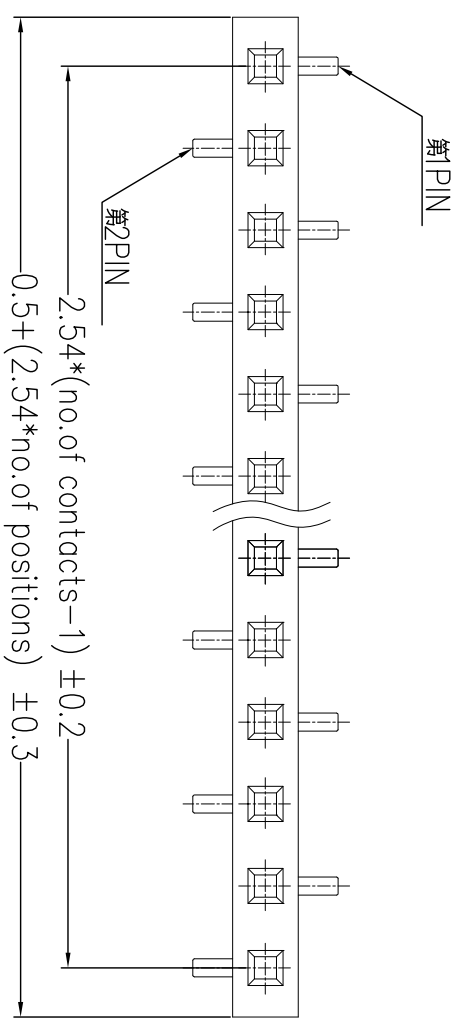
Material:

- 1.Housing: Polyester, UL94V-0.
- 2.Terminal: Copper alloy, Gold-plated.

Electrical:

- 1.Current rating: 3 Amp.
- 2.Contact resistance: 30mΩ Max.
- 3.Insulator resistance: 5000MΩ Min.
- 4.Dielectric withstand: AC 500 V.
- 5.Temperature: -40°C ~ +105°C

Available pins: 03~40 contacts



DRAWER <i>Chiu Chuan Sui</i>	TOLERANCE	DRAWING NO. F2540-H50-SSMT
	CHECK <i>Shi Jung Sui</i>	
DESIGNED <i>Chiu Chuan Sui</i>	UNITS : mm	REV.
APPROVAL <i>Shue Teng Sui</i>	SCALE FREE	SIZE A4
DATE 12 / 10 / 2010	NAME 2.54mm Female Header H:5.0 W:2.5 SMT type	PART NO. F2540-H50-SSMT-XX
SCALE FREE	DATE 12 / 10 / 2010	SHEET 1 OF 1
SIZE A4	SCALE FREE	REV.
SIZE A4	SCALE FREE	REV.



日亮電子科技有限公司
Sun-light Electronic Technologies Inc