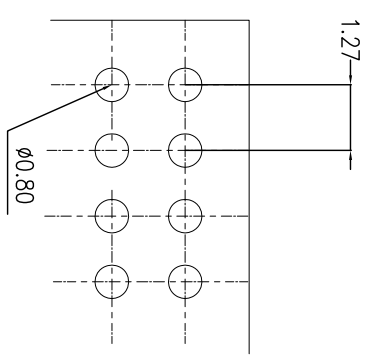
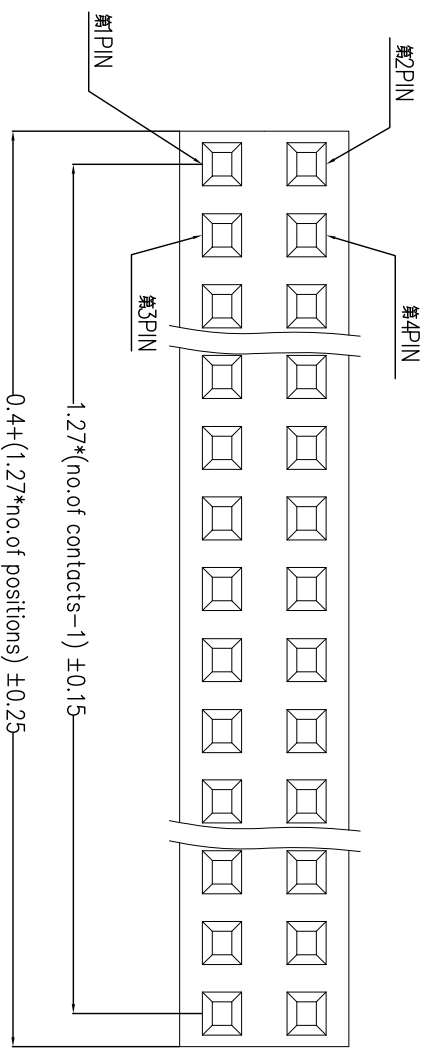
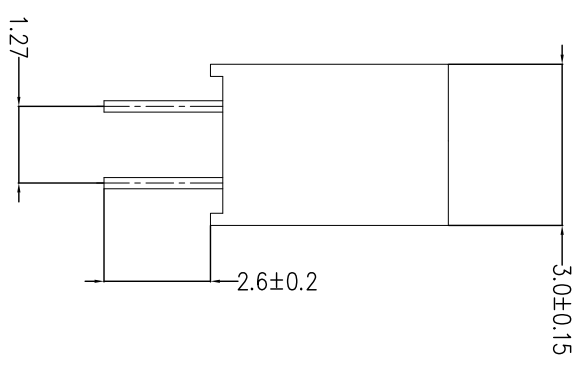
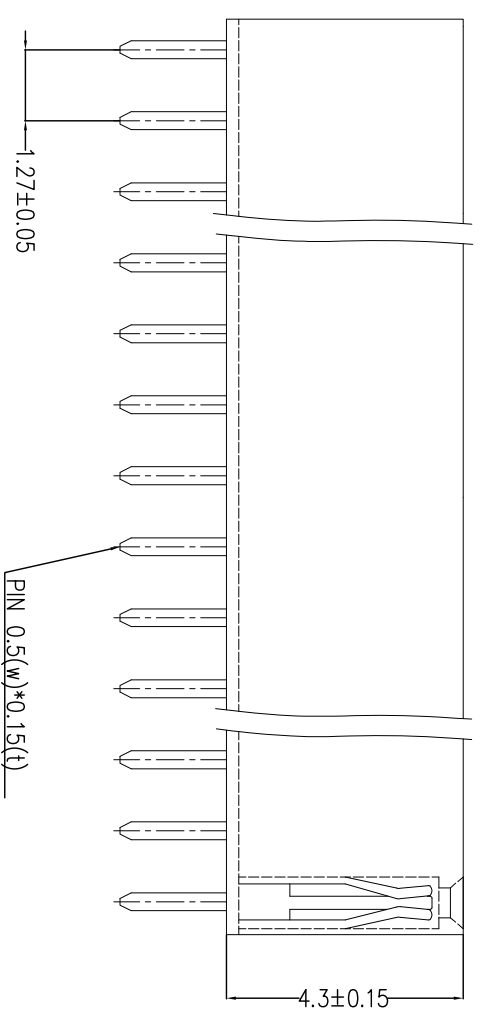



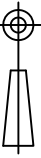
REV.	DESCRIPTION	DATE



- Material:**
- 1.Housing: Polyester, UL94V-0.
 - 2.Terminal: Copper alloy. Gold-plated.
- Electrical:**
- 1.Current rating: 1 Amp.
 2. Insulator resistance: 1000MΩ Min.
 - 3.Contact resistance: 20mΩ Max.
 - 4.Dielectric withstanding: AC 500V.
 - 5.Temperature: -40°C ~ +105°C

Available pins: 06~100 contacts.



TOLERANCE X ±.XX XX ±.XX XXX ±.XX		DRAWER <i>Chiu Chuan Siao</i> CHECK <i>Mhi Jony Siao</i>		 日亮電子科技有限公司 <i>Sun-Light Electronic Technologies Inc.</i>	
UNITS : mm 		DESIGNED <i>Chiu Chuan Siao</i>		NAME 1.27mm Female Header H:4.3 W:3.0 180°	
SCALE FREE		APPROVAL <i>Miao Jony Siao</i>		PART NO. F1270-H43-DDIP-XX	
SIZE A4		DATE 12 / 10 / 2010		DRAW NO. F1270-H43-DDIP	
SHEET 1 OF 1		REV. A		REV. A	