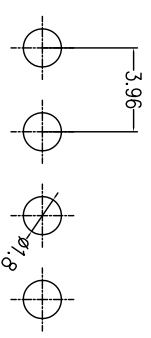
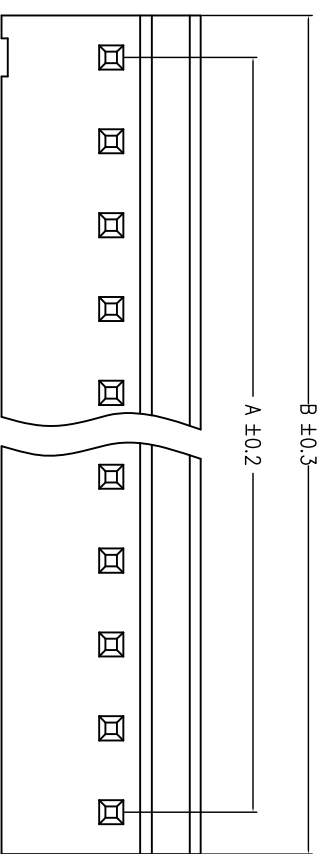
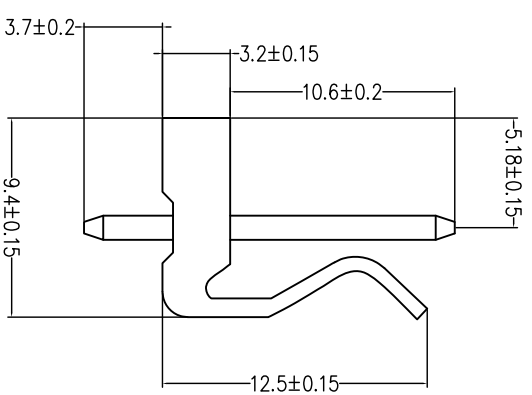
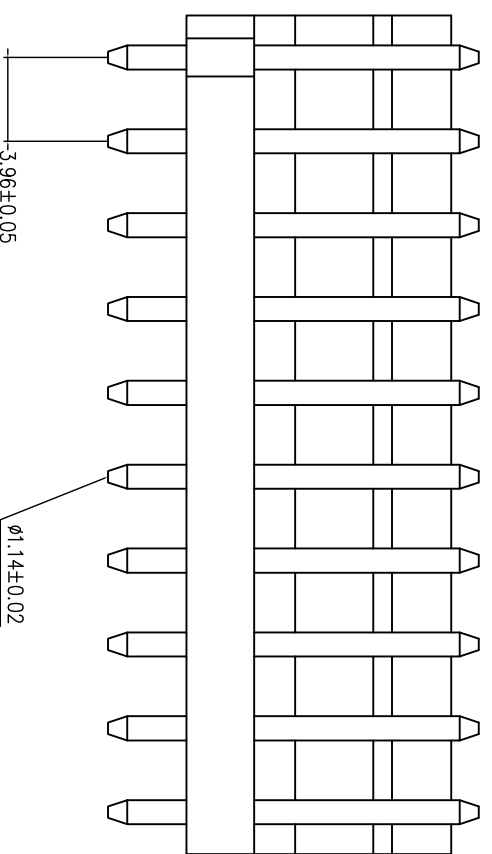


REV.	DESCRIPTION	DATE



PCB Hole Layout

- Note:
- Material:
1. Housing: Nylon-66, UL94V-2.
  2. Color: Translucence.
  3. Terminal: Copper alloy. Tin-plated.
- Electrical:
1. Current rating: 5A AC,DC
  2. Voltage: 250V AC,DC
  3. Contact resistance: 20mΩ Max
  4. Insulation resistance: 1000MΩ Min
  5. Temperature: -25°C ~ +85°C



Circuits	Dimension mm		Circuits	Dimension mm	
	A	B		A	B
02	3.96	7.92	12	43.56	47.52
03	7.92	11.88	13	47.52	51.48
04	11.88	15.84	14	51.48	55.44
05	15.84	19.80	15	55.44	59.40
06	19.80	23.76	16	59.40	63.36
07	23.76	27.72	17	63.36	67.32
08	27.72	31.68	18	67.32	71.28
09	31.68	35.64	19	71.28	75.24
10	35.64	39.60	20	75.24	79.20
11	39.60	43.56			

DRAWER <i>Chiu Chuan Siao</i>		 日亮電子科技有限公司 Sun-light Electronic Technologies Inc.
CHECK <i>Shi Jeng Siao</i>		
DESIGNED <i>Chiu Chuan Siao</i>		NAME MX 3.96mm Wafer 180°
APPROVAL <i>Shaw Jeng Siao</i>		
TOLERANCE .X ±X.XXX .XX ±X.XXX .XXX ±X.XXX	UNITS : mm	PART NO. WTB-P396-XX
SCALE FREE	DATE 11/02/2011	DRAW NO. WTB-P396
SIZE A4	SHEET 1 OF 1	REV. A