

REV.	DESCRIPTION	DATE

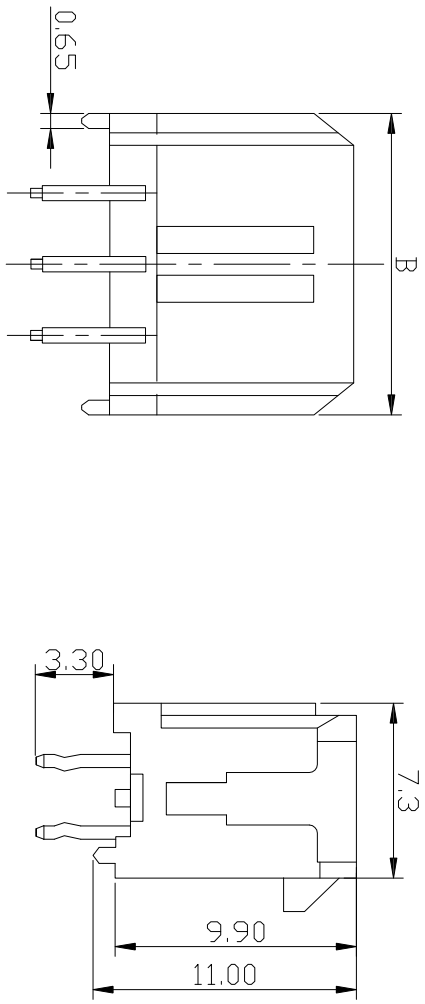
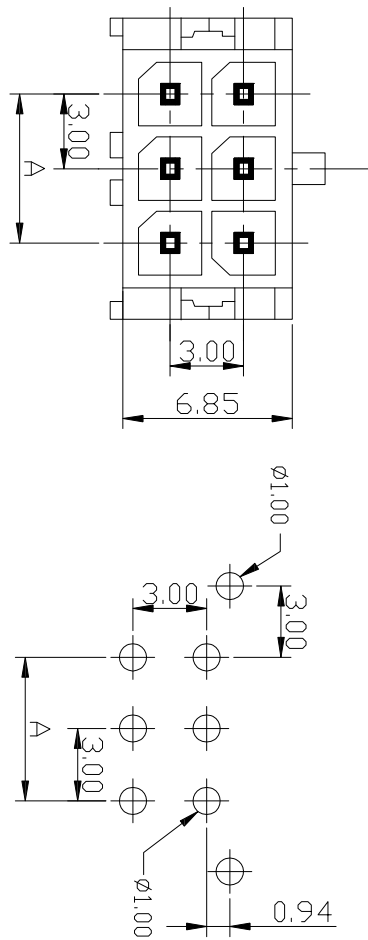
Note:

Material:


1. Housing: Nylon-6T, UL94V-2.
2. Color: Translucence.
3. Terminal: Copper alloy. Tin-plated.

Electrical:

1. Current rating: 5A AC,DC
2. Voltage: 250V AC,DC
3. Contact resistance: 10 mΩ Min
4. Insulation resistance: 1000MΩ Min
5. Temperature: 25°C ~ +105°C



Poles	Dimension mm (in.)		Part No.
	A	B	
2	—	6.65	WTB-P300-02
4	3.00	9.65	WTB-P300-04
6	6.00	12.65	WTB-P300-06
8	9.00	15.65	WTB-P300-08
10	12.00	18.65	WTB-P300-10
12	15.00	21.65	WTB-P300-12
14	18.00	24.65	WTB-P300-14
16	21.00	27.65	WTB-P300-16
18	24.00	30.65	WTB-P300-18
20	27.00	33.65	WTB-P300-20
22	30.00	36.65	WTB-P300-22
24	33.00	39.65	WTB-P300-24

TOLERANCE X ±XXX .XX ±.XXX .XXX ±.XXX	DRAWER <i>Golden Glowon Shiu</i>	 日亮電子科技有限公司 <i>Sun-Light Electronic Technologies Inc.</i>
	CHECK <i>Shiu Sheng Shiu</i>	
DESIGNED <i>Golden Glowon Shiu</i>	NAME MX 3.0 mm Water 180°	DATE 02 / 02 / 2011
APPROVAL <i>Shiu Sheng Shiu</i>	PART NO. WTB-P300-XX	DRAWING NO. WTB-P300
SCALE FREE	SIZE A4	SHEET 1 OF 1