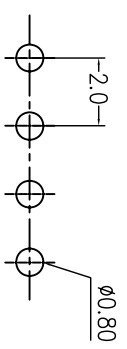
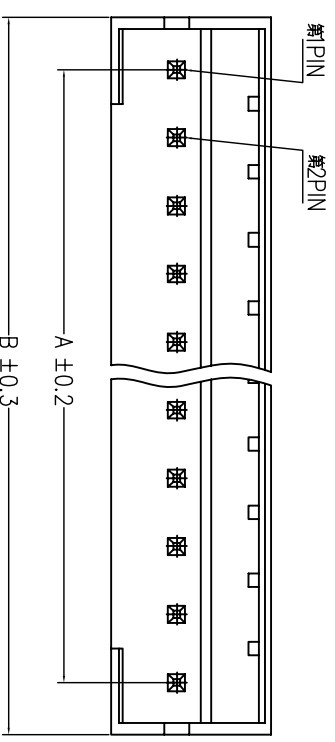
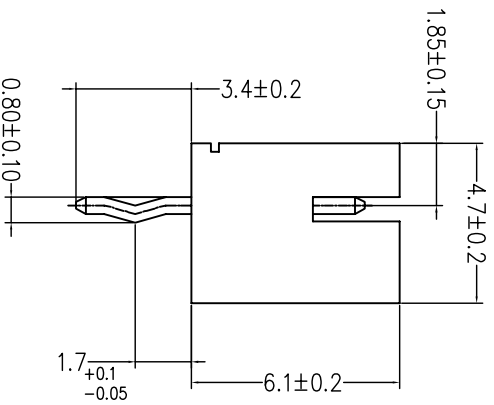
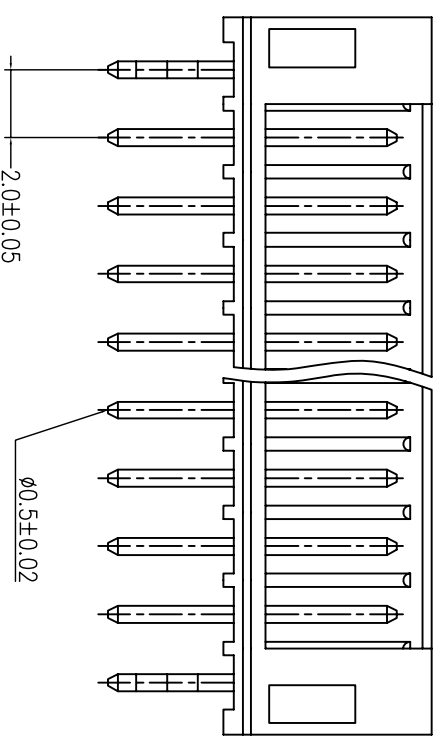


REV.	DESCRIPTION	DATE



PCB Hole Layout

- Note:
- Material:
- Housing: Nylon-66, UL94V-0.
 - Terminal: Copper alloy, Tin-plated.
- Electrical:
- Current rating: 2A AC,DC
 - Voltage: 100V AC,DC
 - Contact resistance: 20mΩ Max
 - Insulation resistance: 1000MΩ Min
 - Withstanding voltage: 800V AC/min.
 - Temperature: -25°C ~ +85°C



Circuits	Part No	Dimension mm	
		A	B
02	WTB-P20-02	2.0	6.0
03	WTB-P20-03	4.0	8.0
04	WTB-P20-04	6.0	10.0
05	WTB-P20-05	8.0	12.0
06	WTB-P20-06	10.0	14.0
07	WTB-P20-07	12.0	16.0
08	WTB-P20-08	14.0	18.0
09	WTB-P20-09	16.0	20.0
10	WTB-P20-10	18.0	22.0
11	WTB-P20-11	20.0	24.0
12	WTB-P20-12	22.0	26.0
13	WTB-P20-13	24.0	28.0
14	WTB-P20-14	26.0	30.0
15	WTB-P20-15	28.0	32.0
16	WTB-P20-16	30.0	34.0

DRAWER <i>Chiu Chuan Siau</i>		TOLERANCE X ± 0.20 XX ± 0.15 XXX ± 0.10	
CHECK <i>Shi Jeng Siau</i>		UNITS : mm	
DESIGNED <i>Chiu Chuan Siau</i>		SCALE FREE	
APPROVAL <i>Shaw Jeng Siau</i>		SIZE A4	
DATE 12 / 10 / 2010		SHEET 1 OF 1	
NAME 2.0mm Wafer 180° $\phi 0.50$ 打孔		DRAW NO. WTB-P20	
 日亮電子科技有限公司 Sun-Light Electronic Technologies Inc.		REV.	