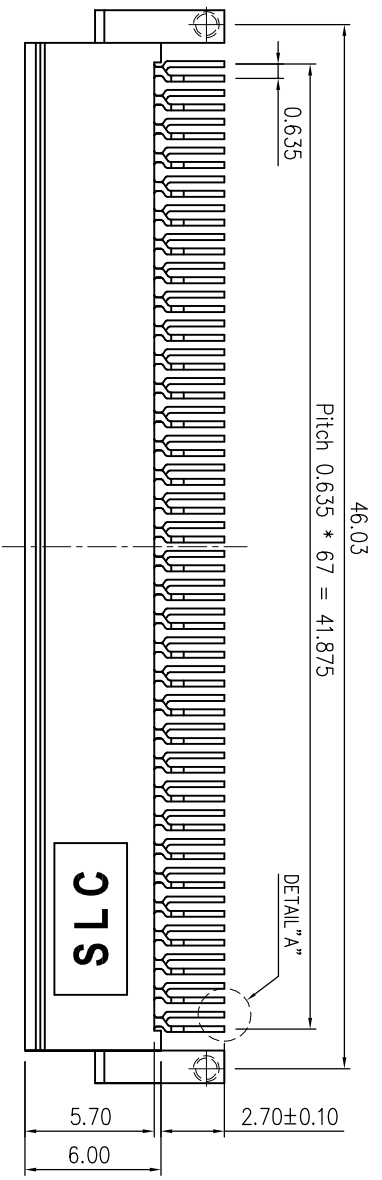


REV.	DESCRIPTION	DATE

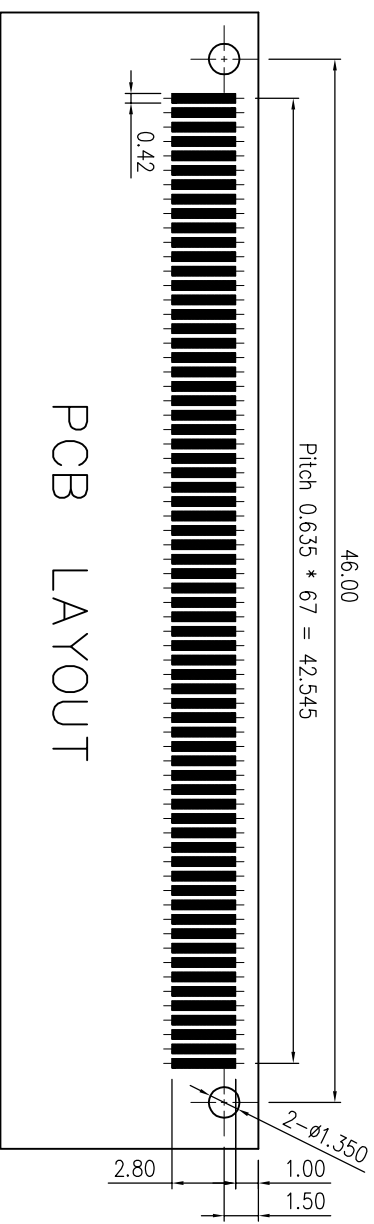
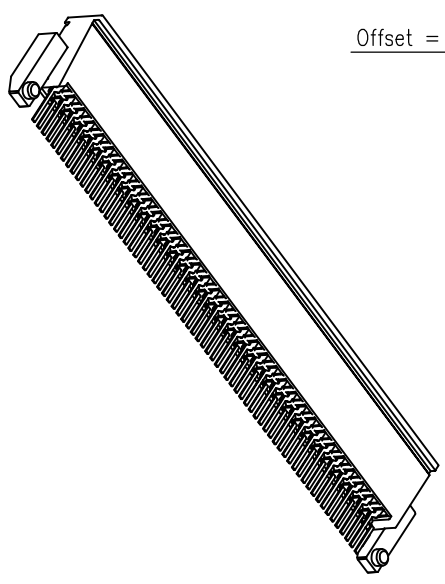
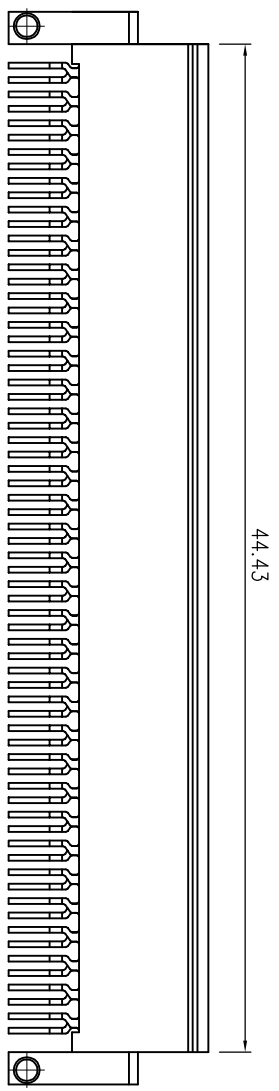
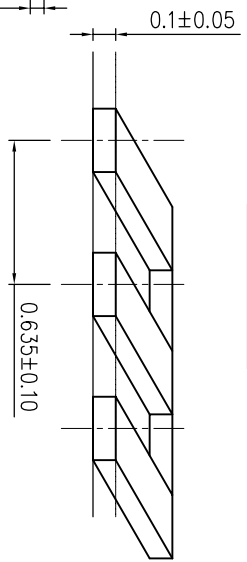
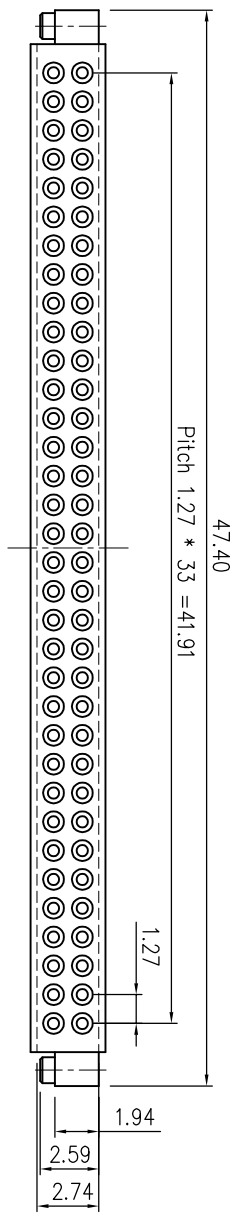
NOTE:

- A. Material:
 1. Housing : HTN , UL94V-0.
 2. Terminal : Copper Alloy .

- B. Plating:
 1. Terminal : Plating is based on 50u" Nickel under plating,
 Selective Gold plated in contact area,
 Solder tail 100u" min Sn over Nickel plated.



DETAIL "A" 10:1



SCALE 3 : 1	TOLERANCE	DRAWER <i>Chun Chun Siu</i>		NAME SunLight 日亮電子科技有限公司 <i>Sun-Light Electronic Technologies Inc.</i>
	.X ±0.250 .XX ±0.100 .XXX±0.050	CHECK <i>Shi Tsung Siu</i>	DESIGNED <i>Chun Chun Siu</i>	
UNITS : mm	APPROVAL <i>Shue Siung Siu</i>	DATE 05 / 24 / 2002	PART NO. 8690-S6B68X-0	PCMCIA 68pin post engineer SMT Type Offset=0.60
			DRAW NO. 8690-S6B68X	
			SHEET 1 OF 1	REV. A