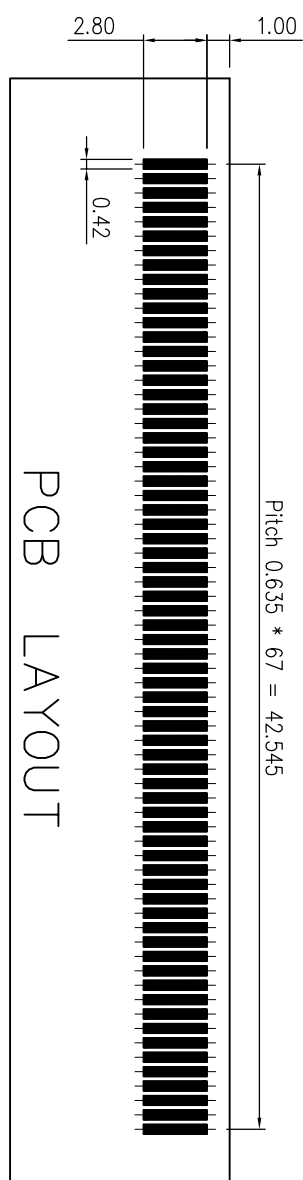
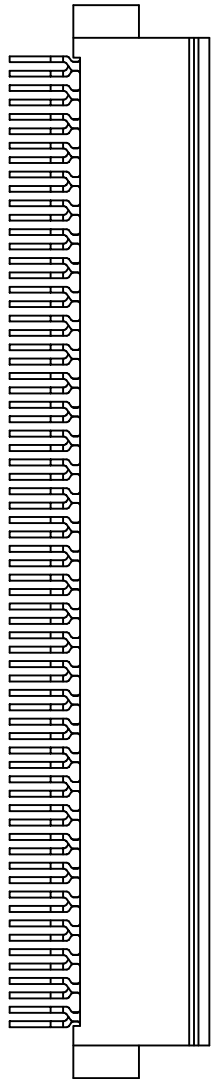
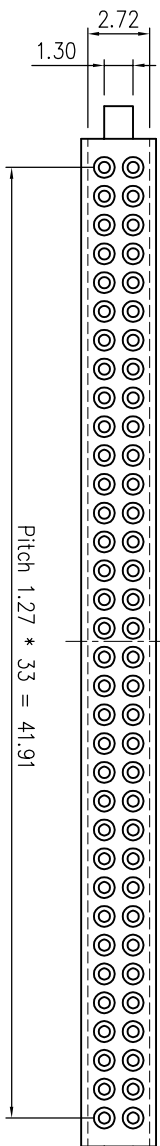
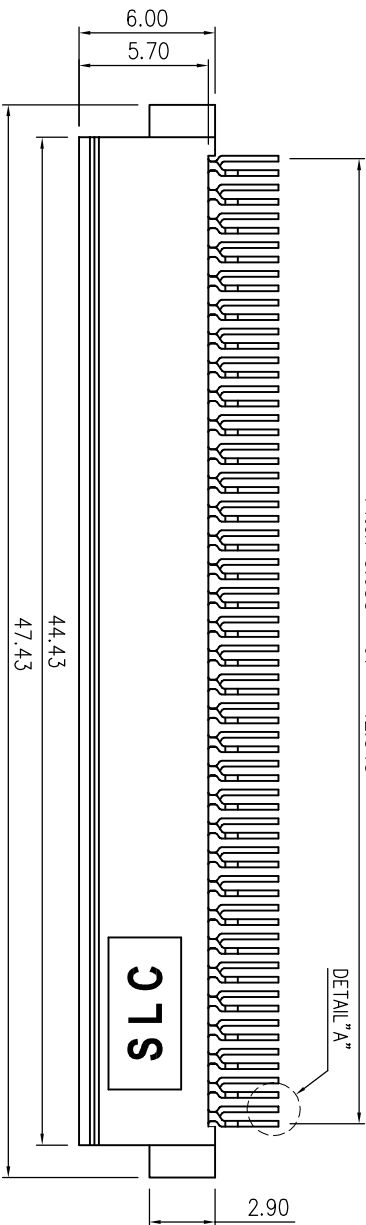


Pitch 0.635 \* 67 = 42.545

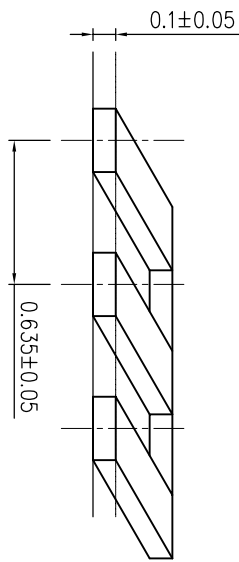
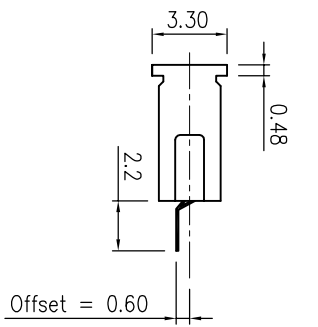


PCB LAYOUT

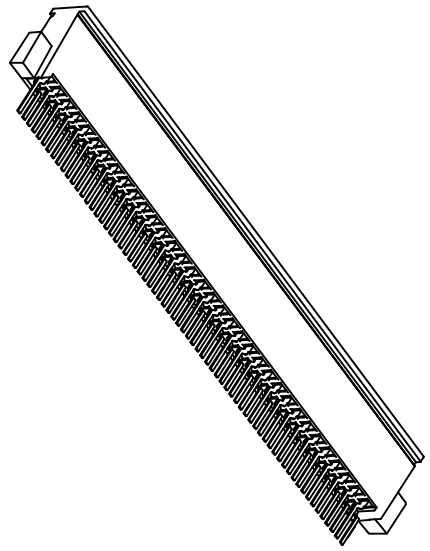
**NOTE:**


- A. Material:  
 1. Housing : HTN , UL94V-0.  
 2. Terminal : Copper Alloy .

- B. Plating:  
 1. Terminal : Plating is based on 50u" Nickel under plating,  
 Selective Gold plated in contact area,  
 Solder tail 100u" min Sn over Nickel plated.



DETAIL "A" 10:1



<p>TOLERANCE                  .X ±0.250                  .XX ±0.100                  .XXX±0.050</p>		<p>DRAWER                  Shin Gwan Sui</p>		<p>NAME   日亮電子科技有限公司                  Sun-Light Electronic Technologies Inc.</p>	
<p>CHECK                  Shi Tsung Sui</p>		<p>DESIGNED                  Shin Gwan Sui</p>		<p>PART NO.                  8690-S6068X-0</p>	
<p>APPROVAL                  Hsue Tsung Sui</p>		<p>DATE                  05 / 24 / 2002</p>		<p>DRAW NO.                  8690-S6068X</p>	
<p>UNITS : mm</p>		<p>SCALE                  3 : 1</p>		<p>SHEET                  1 OF 1</p>	
<p>SIZE                  A4</p>		<p>REV.</p>		<p>REV.                  A</p>	