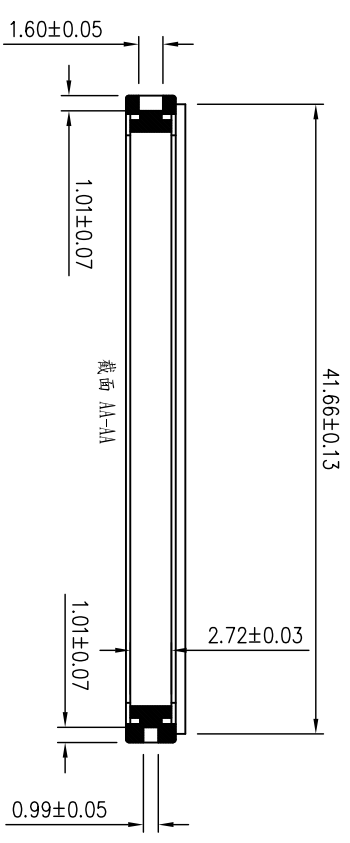
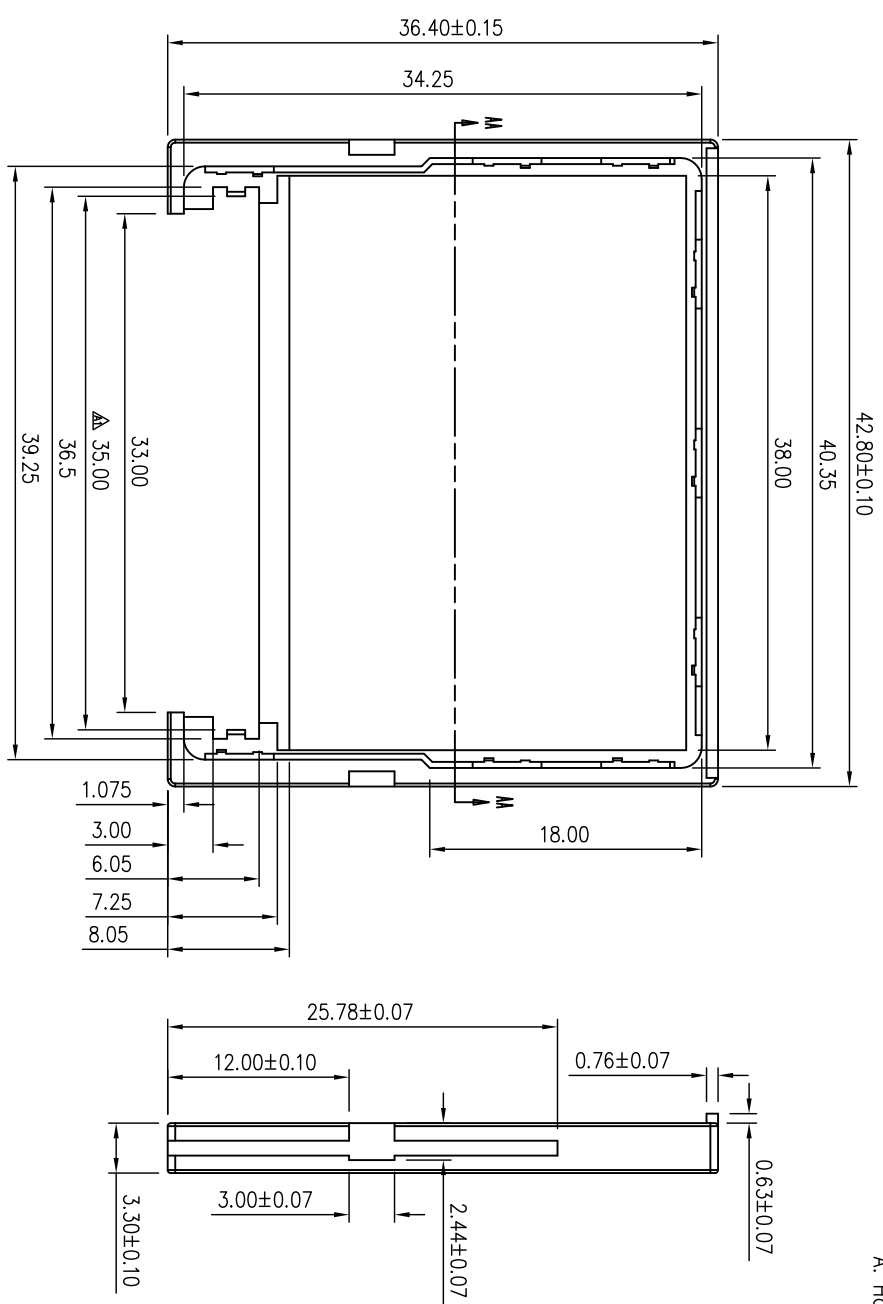


REV.	DESCRIPTION	DATE
A1	加註卡打尺寸	2014/4/21

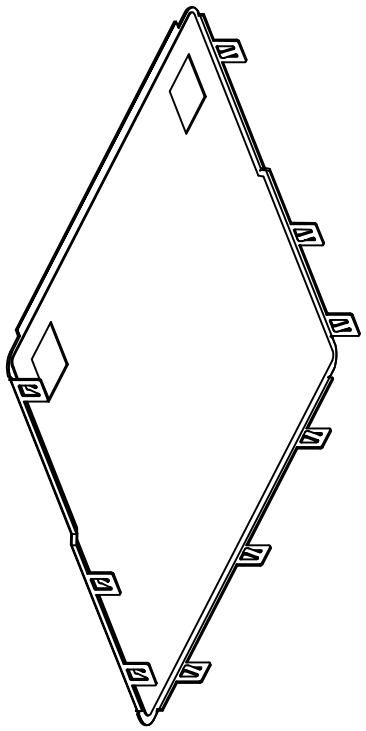
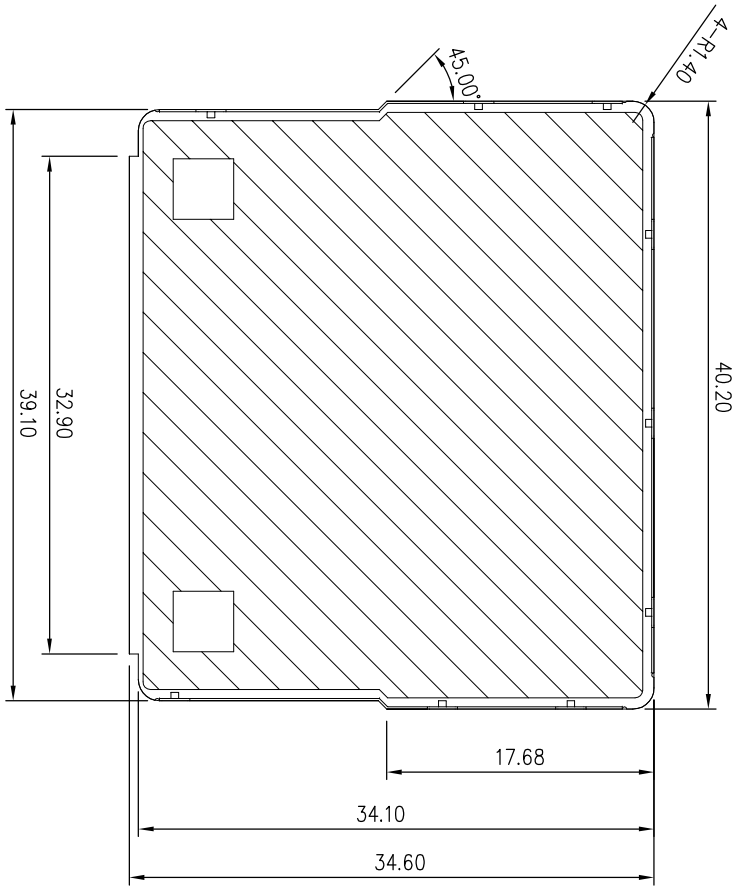
NOTE:  
A. Housing : Polyester Fiber,UL 94V-0 ,Black.



TOLERANCE .X ±0.250 .XX ±0.100 .XXX±0.050	DRAWER <i>Chiu Chiu Siu</i>	日亮電子科技有限公司 <i>Sun-Light Electronic Technologies Inc.</i>
	CHECK <i>Mi Siang Siu</i>	
UNITS : mm 	DESIGNED <i>Chiu Chiu Siu</i>	NAME <b>Memory Card Series</b> <b>Compact Flash Card Frame Kit</b>
	APPROVAL <i>Mi Siang Siu</i>	
SCALE 2 : 1	DATE 7 / 3 / 2013	PART NO. MC-CF-FRAME-2
SIZE A4		DRAW NO. MC-CF-FRAME-2
		SHEET 1 OF 1
		REV. A

REV.	DESCRIPTION	DATE

**NOTE:**  
A. Sheetmetal : T=0.15mm un-shiny.  
Stainless steel.  
B. Mylar insulator : SONY Thermo-Bond  
Film NP605



DRAWER <i>Chiu Chuan Siu</i>		TOLERANCE .X ±0.250 .XX ±0.100 .XXX±0.050	
CHECK <i>Mu Tsung Siu</i>	DESIGNED <i>Chiu Chuan Siu</i>	UNITS : mm	
APPROVAL <i>Hsue Seung Siu</i>	DATE 04 / 10 / 2002	SCALE 2 : 1	
NAME <b>SunLight</b> 日亮電子科技有限公司 <i>Sun-Light Electronic Technologies Inc.</i>		PART NO. MC-CF-COVER	
Memory Card Series Compact Flash Card Cover		DRAW NO. MC-CF-COVER	
SHEET 1 OF 1		REV. A	