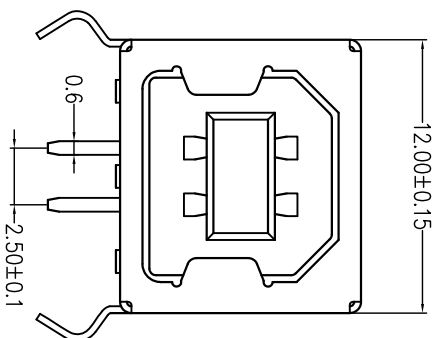
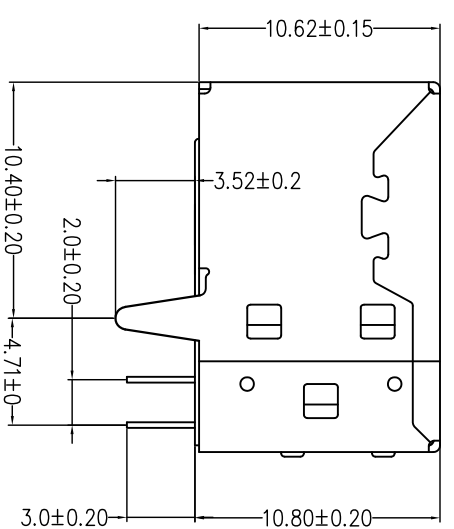
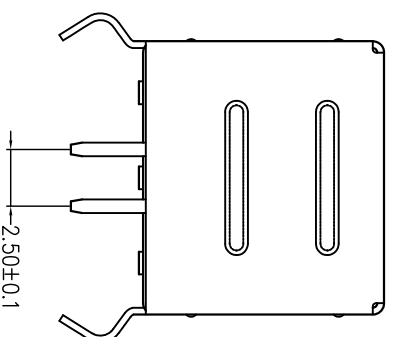


REV.	DESCRIPTION	DATE
▲	通用電流更正	2013/5/8

- Material:**
- Housing: Thermoplastic, UL94V-0.
 - Shell/Back cover: Copper alloy/SPCC, Nickel-plated.
 - Terminal: Copper alloy, Gold / Tin plated.

Electrical:

- Current rating: 1.8 Amp. ▲
- Voltage: 30V AC
- Current resistance: 30mΩ Max.
- Insulation resistance: 1000MΩ Min.
- Withstanding voltage: 500V AC.

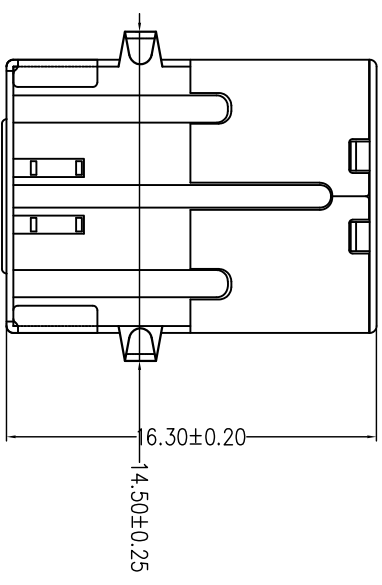
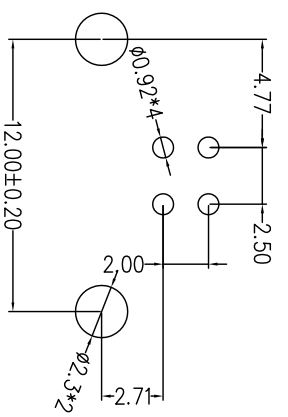


Ordering Information:

USB-B-R-A-XX

- 1: AU GFU"
- 3: AU 30U"
- B: Black
- W: White

Recommended PCB Hole Layout



<p>TOLERANCE</p> <p>X ±0.30</p> <p>XX ±0.20</p> <p>XXX ±0.15</p>		<p>DRAWER</p> <p>Chiu Chuan Siu</p> <p>CHECK</p> <p>Shi Jiong Siu</p> <p>DESIGNED</p> <p>Chiu Chuan Siu</p> <p>APPROVAL</p> <p>Shiu Jiong Siu</p>		<p>NAME</p> <p>SynLight 日亮電子科技有限公司</p> <p>Sun-Light Electronic Technologies Inc.</p> <p>USB B Type Female Conn. 90° 彎角</p>	
<p>UNITS: mm</p> <p>SCALE 3 : 1</p>		<p>DATE</p> <p>10/17/2011</p>		<p>PART NO.</p> <p>USB-B-R-A-XX</p>	
<p>SIZE</p> <p>A4</p>		<p>SHEET</p> <p>1 OF 1</p>		<p>REV.</p> <p>USB-B-RA</p>	