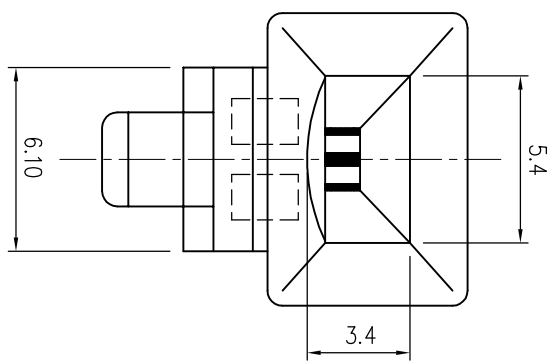
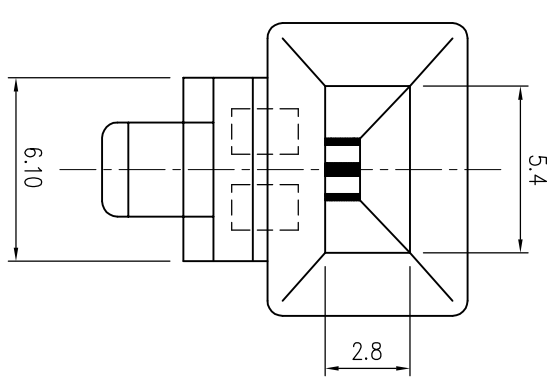
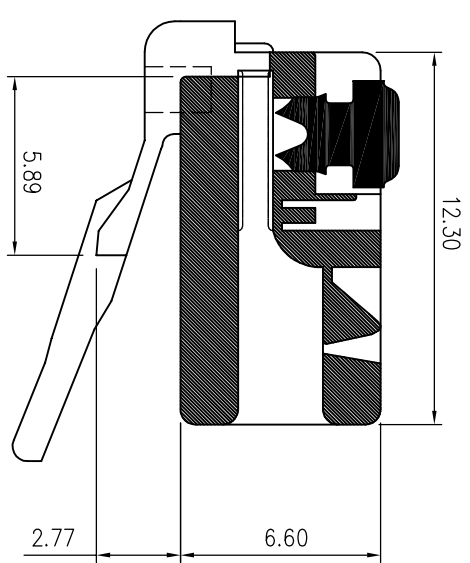
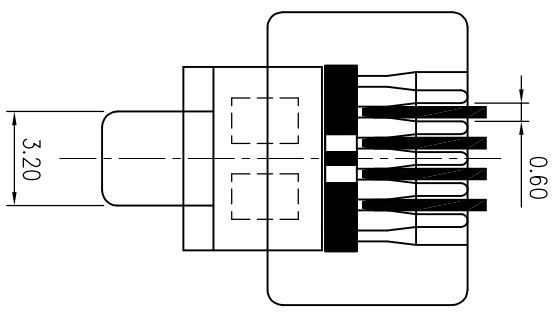
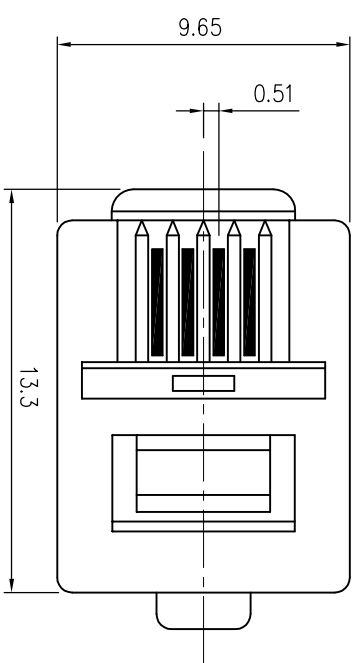


REV.	DESCRIPTION	DATE

NOTE:

- A. Material:
 1. Housing : PC , UL94V-2.
 2. Terminal : Copper Alloy.

- B. Plating:
 1. Terminal : Plating is based on 50u" Nickel Under Plating.
 Selective Gold Plated on Contact Touch Area.



Flat Cable

Round Cable

TREMINAL				TOLERANCE	DRAWER	NAME
CABLE	 2 Prongs For Stranded Wire 多芯線用二叉金片	 2 Prongs For Solid Wire 單芯線用二叉金片	 3 Prongs For Solid Wire 單芯線用三叉金片	.X ±0.250 .XX ±0.150 .XXX±0.100	CHIN CHUAN SHU CHECK SHI SHANG SHU DESIGNED CHIN CHUAN SHU APPROVAL SHI SHANG SHU DATE 06 / 23 / 2000	 日亮電子科技有限公司 Sun-Light Electronic Technologies Inc.
Flat Cable	MOD-641-F-XXU"			UNITS : mm		Modular Plug RJ11 6P4C Flat & Round Cable.
Round Cable	MOD-641-R-XXU"		MOD-643-R-XXU"	SCALE 4 : 1	SIZE A4	PART NO. 請參照右表 DRAW NO. MOD-64X