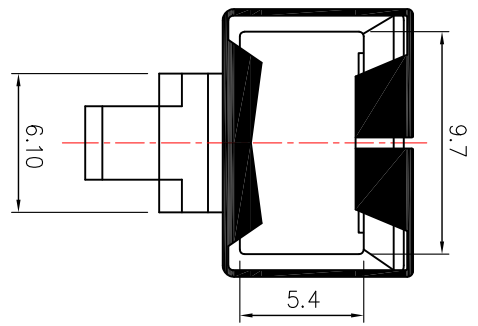
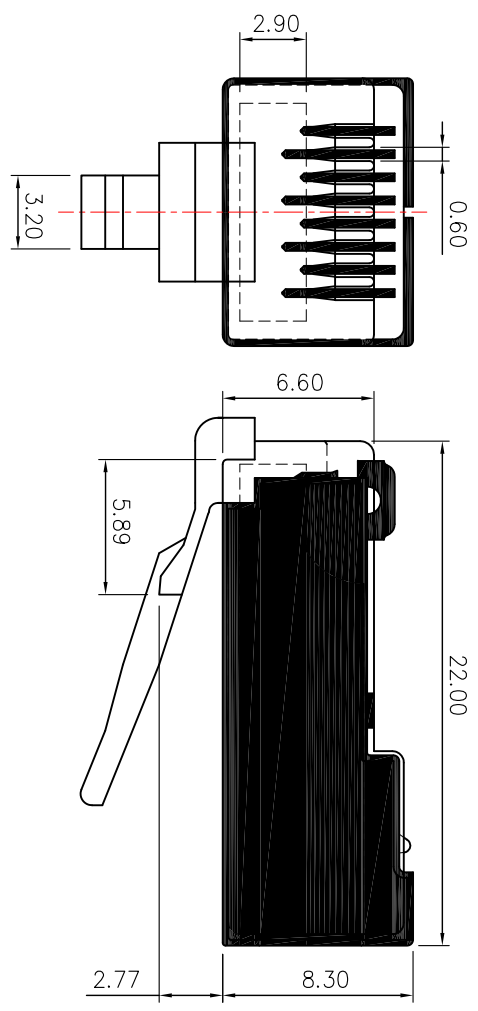
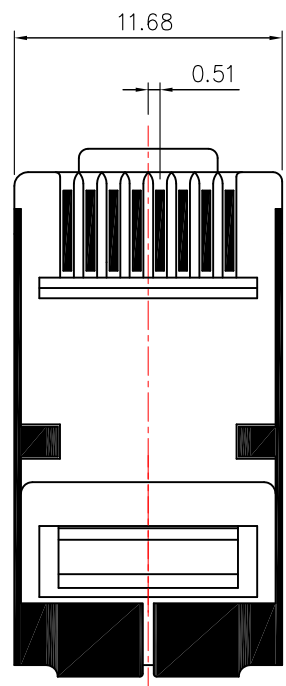


REV.	DESCRIPTION	DATE

NOTE:

- A. Material:
 1. Housing : PC , UL94V-2 / UL94V-0.
 2. Terminal : Copper Alloy.
 3. Shielded : Brass.
- B. Plating:
 1. Terminal : Plating is based on 50u" Nickel Under Plating. Selective Gold Plated on Contact Touch Area.
 2. Shielded : Nickel plated.
- C. Applicable Wire Gauge : 24~26AWG OD:5~6.5mm
- D. Operation Temperature : -40°C to 125°C



Round Cable

STD - C688X - R - XXu - DXV

Terminal Type :
1: 2 Prongs
3: 3 Prongs

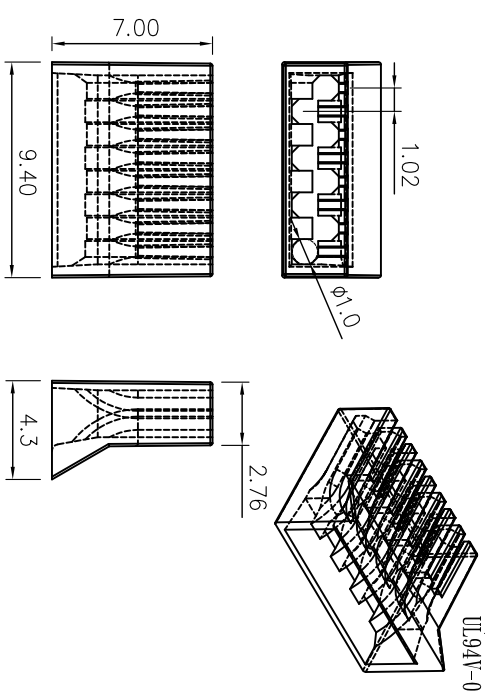
Cable Type :
R: Round Cable

Plating Option :
GRu
6u"
15u"
30u"
50u"

Discern Type

Color
UL94V-0

Insert Bar : MOD-C6-DXV



TOLERANCE		DRAWER		NAME	
.X	±0.250	DESIGNED	<i>Chiu Chiu Siu</i>	Modular Plug RJ45 Shielded 8P8C Cat-6	DRAW NO.
.XX	±0.150	CHECK	<i>Mi Jung Siu</i>	Two-Piece Insert Bar Discern Type	STD-C688X-DX
.XXX	±0.100	APPROVAL	<i>Miung Siu</i>		REV.
UNITS : mm		DATE	6/3/2014		C
SCALE	3 : 1	SIZE	A4	SHEET	1 OF 1

SynLight 日亮電子科技有限公司
Sun-Light Electronic Technologies Inc.

TREMINAL

2 Prongs For Stranded Wire
多芯線用二叉金片

2 Prongs For Solid Wire
單芯線用二叉金片

3 Prongs For Solid Wire
單芯線用三叉金片