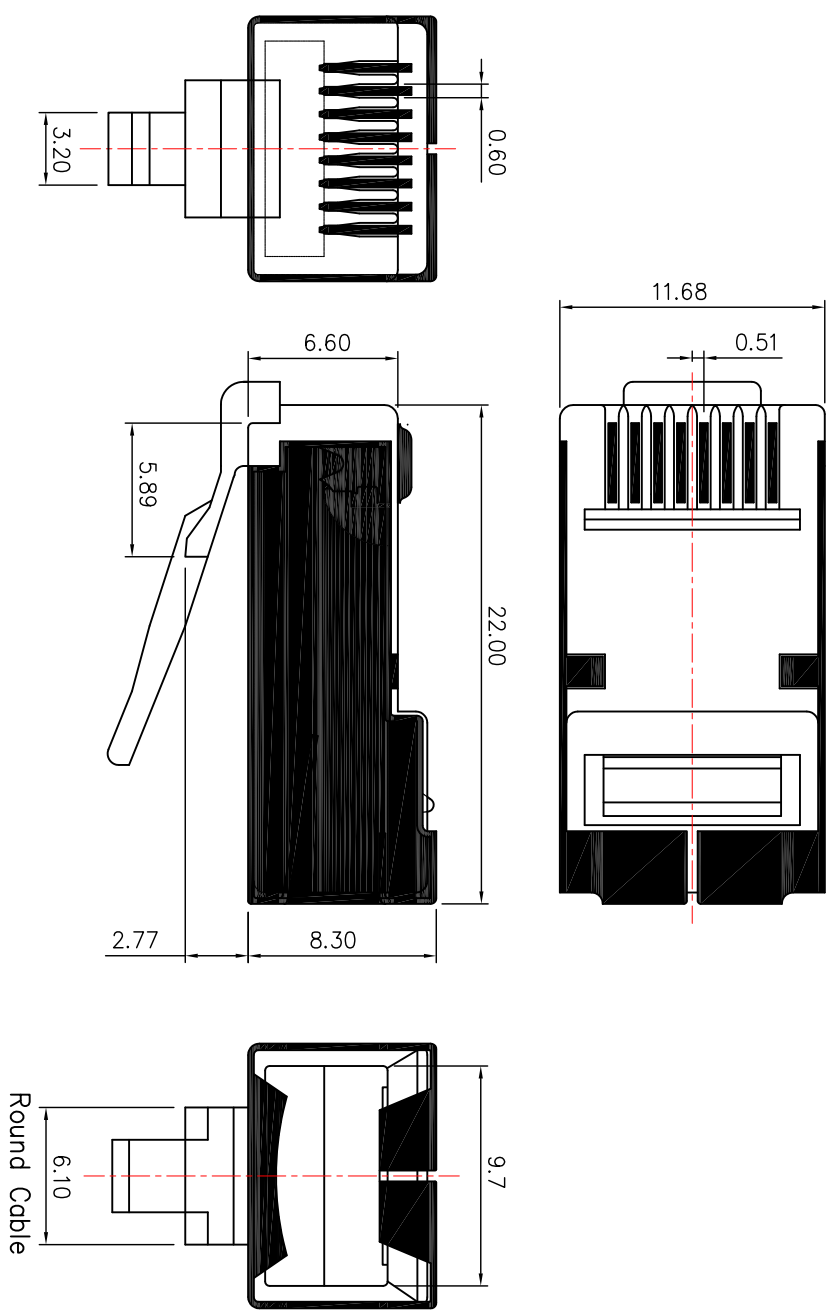


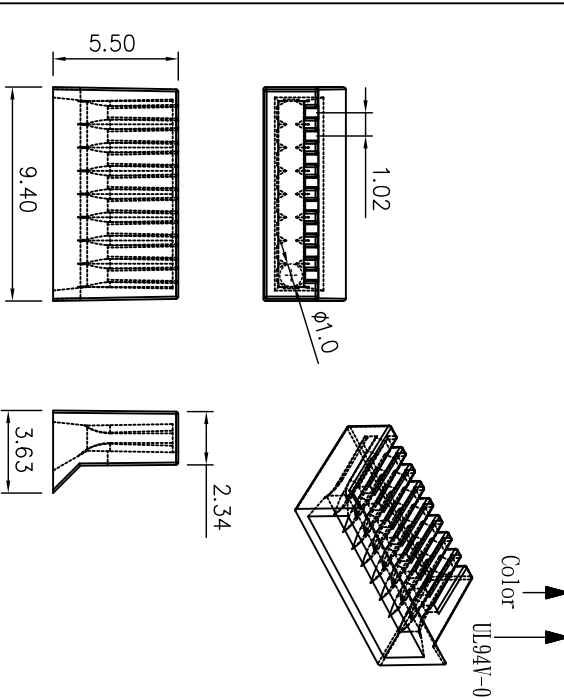
REV.	DESCRIPTION	DATE

NOTE:

- A. Material:
1. Housing : PC , UL94V-2 / UL94V-0.
 2. Terminal : Copper Alloy.
 3. Shielded : Brass.
- B. Plating:
1. Terminal : Plating is based on 50u" Nickel Under Plating, Selective Gold Plated on Contact Touch Area.
 2. Shielded : Nickel plated.
 3. Applicable Wire Gauge : 24~26AWG OD: 5~6.5mm
 4. Operation Temperature : -40°C to 125°C



Insert Bar : MOD-C5-DXV



STD - C588X - R - XXu - DX - V

Terminal Type :
 1: 2 Prongs
 2: 2 Prongs For Solid Wire
 3: 3 Prongs

Cable Type :
 R: Round Cable

Plating Option :
 6u"
 6u"
 15u"
 30u"
 50u"

Discern Type
 Color

UL94V-0

TERMINAL	2 Prongs For Stranded Wire 多芯線用二叉金片	2 Prongs For Solid Wire 單芯線用二叉金片(大拐角)	3 Prongs For Solid Wire 單芯線用三叉金片

TOLERANCE .X ±0.250 .XX ±0.150 .XXX±0.100	SCALE 3 : 1	UNITS : mm	DRAWER <i>Chiu Chuu Sui</i>	CHECK <i>Yhi Yung Sui</i>	DESIGNED <i>Chiu Chuu Sui</i>	APPROVAL <i>Shue Jhong Sui</i>	DATE 10/4/2013	SIZE A4	NAME SynLight 日亮電子科技有限公司 <i>Sun-Light Electronic Technologies Inc.</i>	PART NO. STD-C588X-R-XXu-DX	DRAW NO. STD-C588X-D	SHEET 1 OF 1	REV. B
--	----------------	------------	--------------------------------	------------------------------	----------------------------------	-----------------------------------	-------------------	------------	--	--------------------------------	-------------------------	-----------------	-----------

Modular Plug RJ45 Shielded 8P8C Two-Piese
 Insert Bar Discern Type