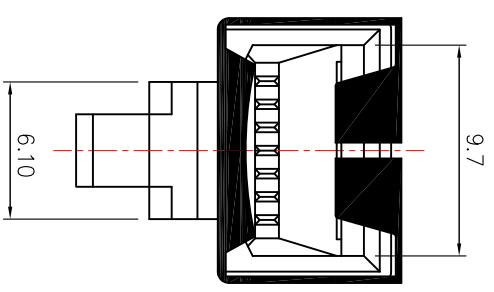
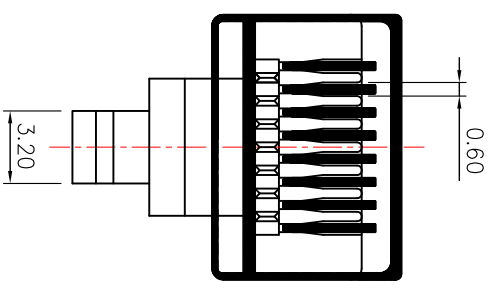
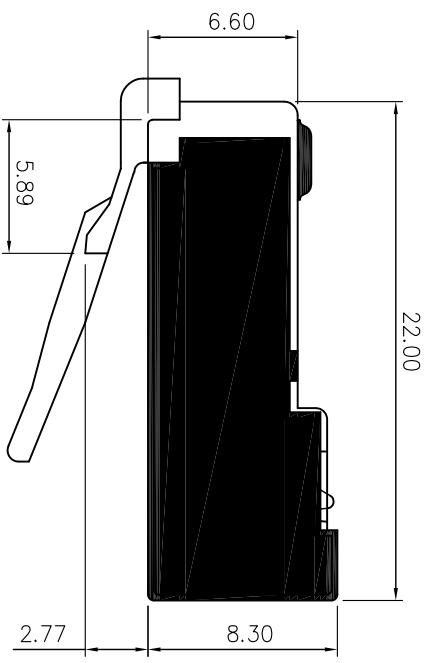
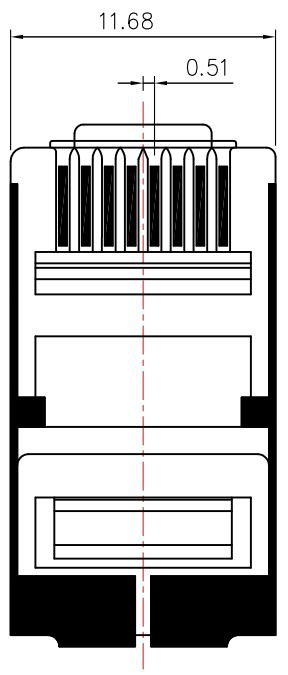


| REV. | DESCRIPTION | DATE |
|------|-------------|------|
|      |             |      |

**NOTE:**

- A. Material:
1. Housing : PC , UL94V-2 / UL94V-0.
  2. Terminal : Copper Alloy.
  3. Shielded : Brass.
- B. Plating:
1. Terminal : Plating is based on 50u" Nickel Under Plating, Selective Gold Plated on Contact Touch Area.
  2. Shielded : Nickel plated.
  3. Applicable Wire Gauge : 24~26AWG OD:5~6mm
  4. Operation Temperature : -40°C to 125°C



Round Cable

STD - C88XN - R - XXu" - V

Terminal Type :  
 1: 2 Prongs  
 3: 3 Prongs

Cable Type :  
 R: Round Cable

Plating Option :  
 GFu"  
 6u"  
 15u"  
 30u"  
 50u"

UL94V-0

| TREMNAL | 2 Prongs For Stranded Wire<br>多芯線用二叉金片 | <del>2 Prongs For Solid Wire<br/>單芯線用二叉金片</del> | 3 Prongs For Solid Wire<br>單芯線用三叉金片 |
|---------|--|---|-------------------------------------|
|         |  |   |                                     |

|             |                                       |                                  |   |
|-------------|---------------------------------------|----------------------------------|---|
| TOLERANCE   | .X ±0.250<br>.XX ±0.150<br>.XXX±0.100 | DRAWER<br><i>Chiu Chuu Siu</i>   | NAME<br><b>SynLight</b> 日亮電子科技有限公司<br><i>Sun-Light Electronic Technologies Inc.</i> |
| UNITS : mm  |                                       | CHECK<br><i>Mu Siung Siu</i>     | PART NO.<br><b>STD-C88XN-R-XXu"</b>   |
| SCALE 3 : 1 |                                       | DESIGNED<br><i>Chiu Chuu Siu</i> | DRAW' NO.<br><b>STD-C88XN</b>   |
|             |                                       | APPROVAL<br><i>Mu Siung Siu</i>  | REV. C  |
|             |                                       | DATE 01 / 03 / 2014              |   |
|             |                                       | SIZE A4                          |   |
|             |                                       |                                  | SHEET 1 OF 1  |

**Modular Plug RJ45 Cat.5E Shielded 8P8C Without Insert Bar.**