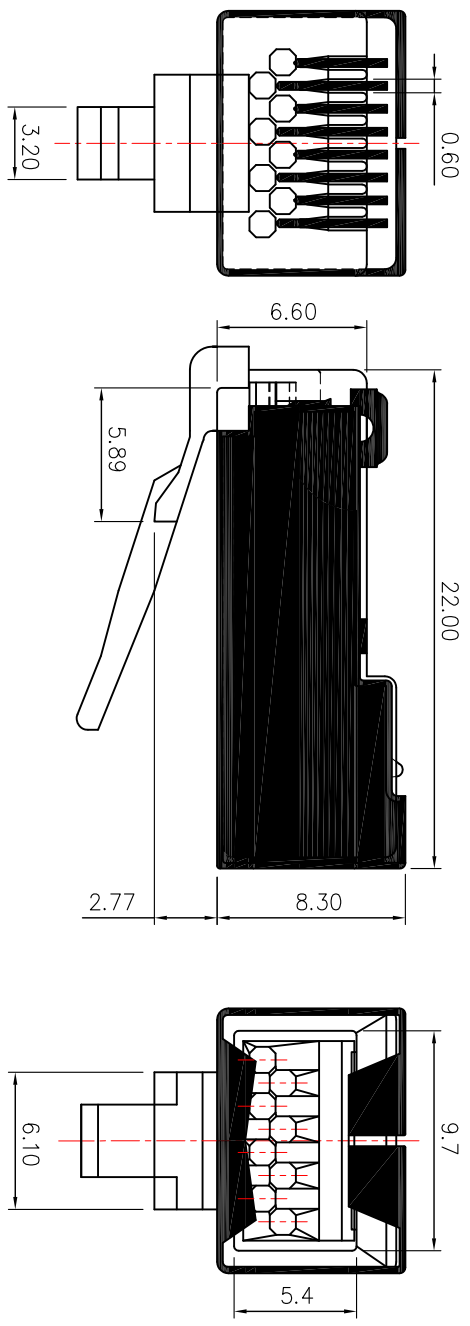
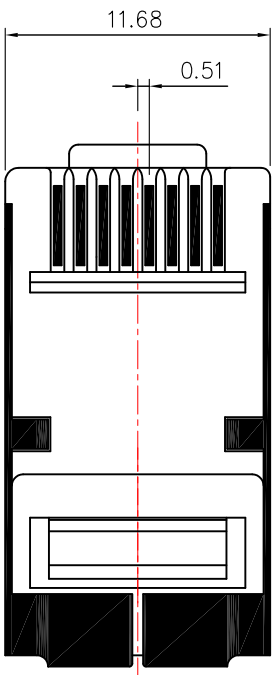


REV.	DESCRIPTION	DATE

**NOTE:**

- A. Material:
- Housing : PC , UL94V-2 / UL94V-0.
  - Terminal : Copper Alloy.
  - Shielded : Brass.
- B. Plating:
- Terminal : Plating is based on 50u" Nickel Under Plating, Selective Gold Plated on Contact Touch Area.
  - Shielded : Nickel plated.
  - Applicable Wire Gauge : 24~26AWG OD:5~6.5mm
  - Operation Temperature : -40°C to 125°C



Round Cable

**STD - 688X - R - XXu" - V**

Terminal Type :  
 1: 2 Prongs  
 3: 3 Prongs

Cable Type :  
 R: Round Cable

Plating Option :  
 GFu"  
 6u"  
 15u"  
 30u"  
 50u"

UL 94V-0

TREMINAL	2 Prongs For Stranded Wire 多芯線用二叉金片	<del>2 Prongs For Solid Wire 單芯線用二叉金片</del>	3 Prongs For Solid Wire 單芯線用三叉金片
		<del></del>	

TOLERANCE		DRAWER		NAME	
.X ±0.250	.XX ±0.150	.XXX±0.100	<i>Chiu Chuu Siu</i>	日亮電子科技有限公司 <i>Sun-Light Electronic Technologies Inc.</i>	
UNITS : mm			CHECK	DESIGNED	PART NO.
SCALE 3 : 1			<i>Mu Siung Siu</i>	<i>Chiu Chuu Siu</i>	<b>STD-688X-R-XXu"</b>
DATE 1/26/2016			APPROVAL	DATE	DRAW NO.
SIZE A4			<i>Mu Siung Siu</i>		<b>STD-688X</b>
SHEET 1 OF 1				REV.	A