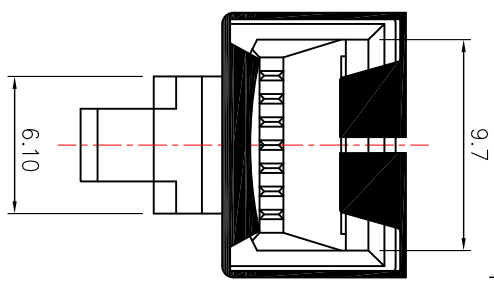
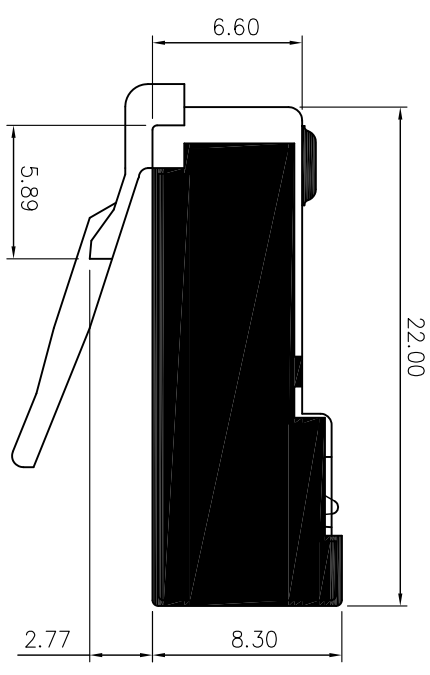
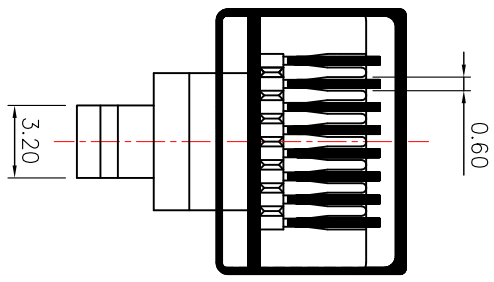
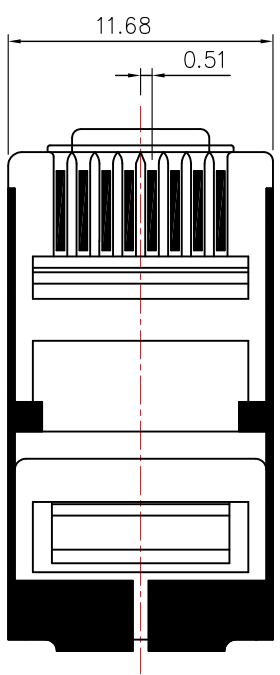


REV.	DESCRIPTION	DATE

NOTE:

- A. Material:
 1. Housing : PC , UL94V-2 / UL94V-0.
 2. Terminal : Copper Alloy.
 3. Shielded : Brass.
- B. Plating:
 1. Terminal : Plating is based on 50u" Nickel Under Plating.
 Selective Gold Plated on Contact Touch Area.
 2. Shielded : Nickel plated.
 C. Applicable Wire Gauge : 24~26AWG OD:5~6mm
 D. Operation Temperature : -40°C to 125°C



Round Cable

STD - 88X - R - XXXu" - V

Terminal Type :
 1: 2 Prongs
 2: 2 Prongs For Solid
 3: 3 Prongs

Cable Type :
 R: Round Cable

Plating Option :
 GFu"
 6u"
 15u"
 30u"
 50u"

UL94V-0

TREMINAL	2 Prongs For Stranded Wire 多芯線用二叉金片	2 Prongs For Solid Wire 單芯線用二叉金片(大拐角)	3 Prongs For Solid Wire 單芯線用三叉金片

TOLERANCE .X ±0.250 .XX ±0.150 .XXX±0.100		DRAWER <i>Chiu Chuu Siau</i>	
UNITS : mm		CHECK <i>Mi Ssang Siau</i>	
SCALE 3 : 1		DESIGNED <i>Chiu Chuu Siau</i>	
DATE 06 / 23 / 2000		APPROVAL <i>Mi Ssang Siau</i>	
SIZE A4		NAME SynLight 日亮電子科技有限公司 <i>Sun-Light Electronic Technologies Inc.</i>	
PART NO. STD-88X-R-XXXu"		Modular Plug RJ45 Shielded 8P8C Standard Type	
SHEET 1 OF 1		DRAW NO. STD-88X	
REV. C		REV. C	