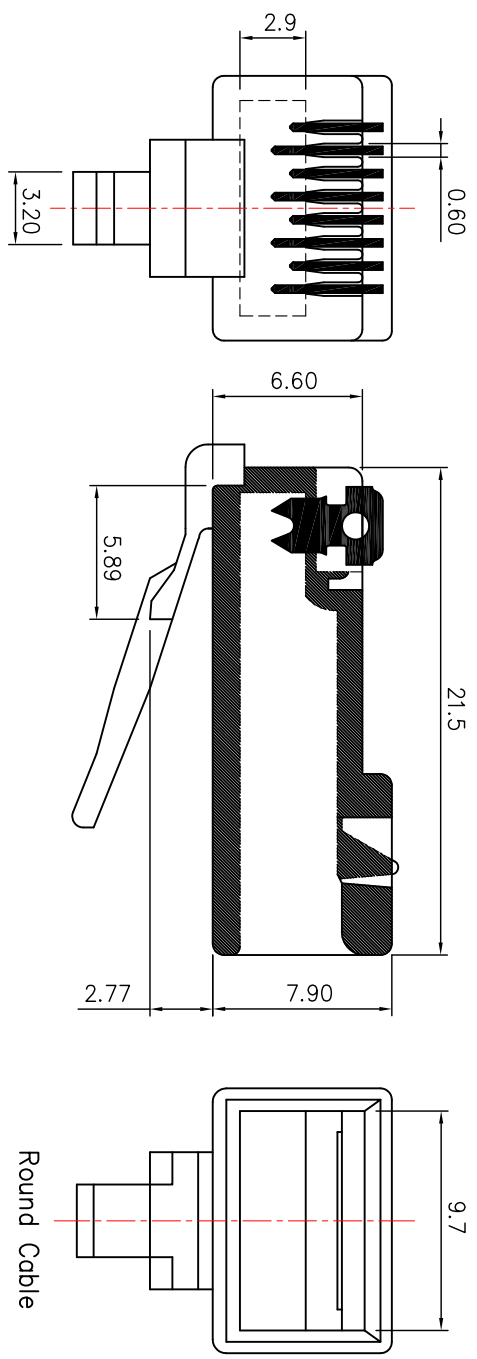
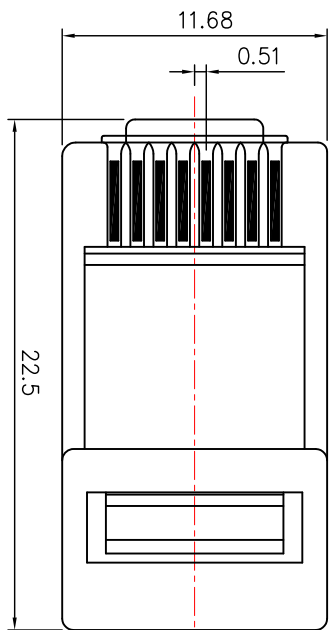


REV.	DESCRIPTION	DATE

NOTE:

- A. Material:
1. Housing : PC , UL94V-2 / UL94V-0.
 2. Terminal : Copper Alloy.
- B. Plating:
1. Terminal : Plating is based on 50u" Nickel Under Plating. Selective Gold Plated on Contact Touch Area.
 - C. Applicable Wire Gauge : 23AWG OD:5~7mm
 - D. Operation Temperature : -40°C to 125°C



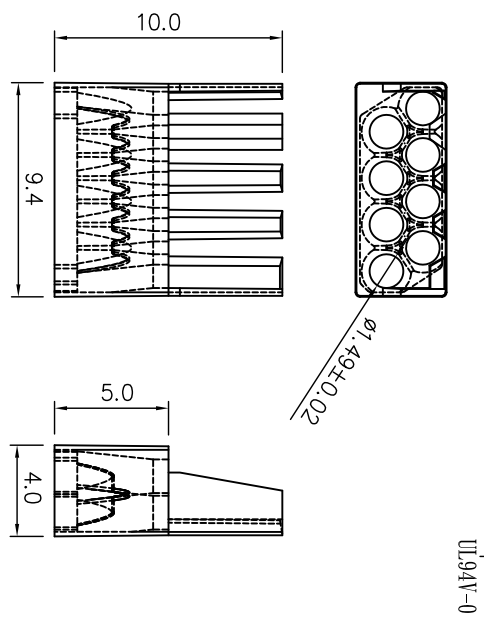
MOD - C788X - R - XXu - V

Terminal Type :
 1: 2 Prongs
 3: 3 Prongs

Cable Type :
 R: Round Cable

Plating Option :
 6u"
 15u"
 30u"
 50u"
 UL94V-0

Insert Bar : MOD-C7E-V



TREMINAL

2 Prongs For Stranded Wire
 多芯線用二叉金片

~~2 Prongs For Solid Wire
 單芯線用二叉金片~~

3 Prongs For Solid Wire
 單芯線用三叉金片

TOLERANCE .X ±0.250 .XX ±0.150 .XXX±0.100		DRAWER <i>Chiu Chuu Sui</i>	
UNITS : mm		CHECK <i>Yu Jang Sui</i>	
SCALE 3 : 1		DESIGNED <i>Chiu Chuu Sui</i>	
APPROVAL <i>Shue Jang Sui</i>		NAME SynLight 日亮電子科技有限公司 <i>Sun-Light Electronic Technologies Inc.</i>	
DATE 12/05/2012		PART NO. MOD-C788X-R-XXu	
SIZE A4		DRAW NO. MOD-C788X	
SHEET 1 OF 1		REV. C	
		NAME Modular Plug RJ45 Cat.7 Unshielded 8P8C With insert bar.	