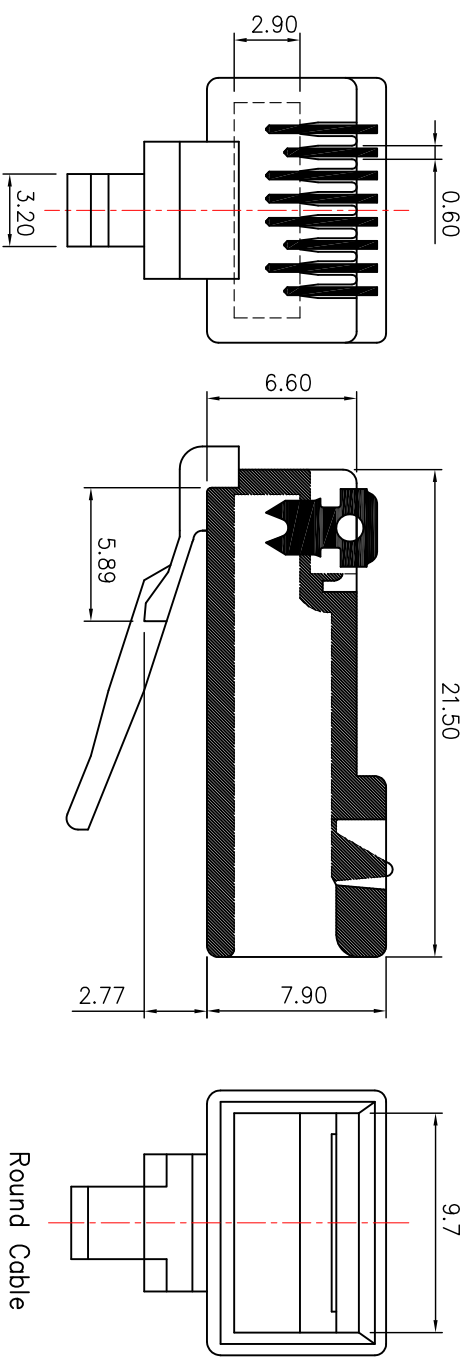
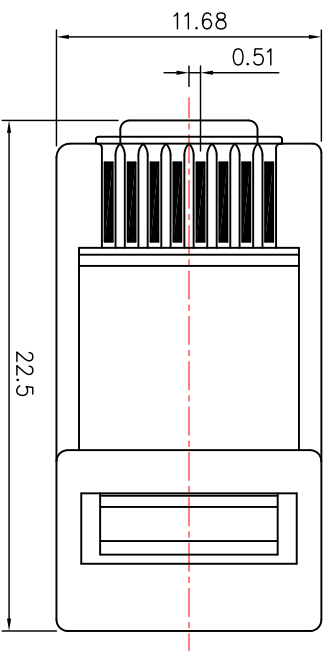


REV.	DESCRIPTION	DATE



**NOTE:**

- A. Material:
  1. Housing : PC , UL94V-2 / UL94V-0.
  2. Terminal : Copper Alloy.
- B. Plating:
  1. Terminal : Plating is based on 50u" Nickel Under Plating. Selective Gold Plated on Contact Touch Area.
- C. Applicable Wire Gauge : 24~26AWG OD:5~6.5mm
- D. Operation Temperature : -40°C to 125°C

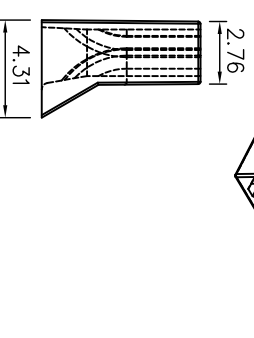
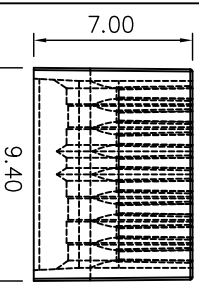
# MOD - C6A88X - R - XXu - DXV

Terminal Type :  
 1: 2 Prongs  
 3: 3 Prongs

Cable Type :  
 R: Round Cable

Plating Option :  
 6u"  
 15u"  
 30u"  
 50u"

Discern Type



## Insert Bar : MOD-C6A-DXV

TREMINAL	2 Prongs For Stranded Wire 多芯線用二叉金片	<del>2 Prongs For Solid Wire 單芯線用二叉金片</del>	3 Prongs For Solid Wire 單芯線用三叉金片

TOLERANCE	.X ±0.250 .XX ±0.150 .XXX±0.100
UNITS : mm	
SCALE 3 : 1	
DRAWER	<i>Chiu Chuu Siao</i>
CHECK	<i>Yhi Yung Siao</i>
DESIGNED	<i>Chiu Chuu Siao</i>
APPROVAL	<i>Shue Jang Siao</i>
DATE	6 / 13 / 2014
SIZE	A4
NAME	<b>SynLight</b> 日亮電子科技有限公司 <i>Sun-Light Electronic Technologies Inc.</i>
PART NO.	<b>MOD-C6A88X-R-XXu-DX</b>
DRW NO.	<b>MOD-C6A88X-D</b>
SHEET	1 OF 1
REV.	C