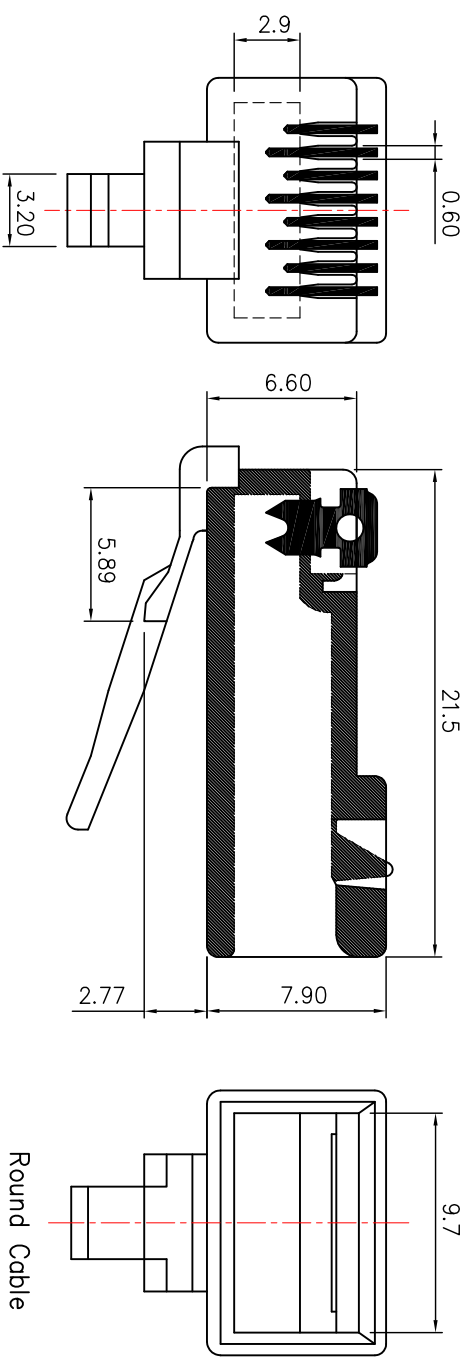
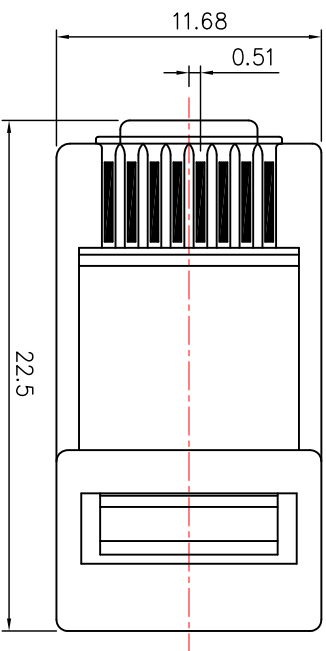


REV.	DESCRIPTION	DATE

NOTE:

- A. Material:
 1. Housing : PC , UL94V-2 / UL94V-0.
 2. Terminal : Copper Alloy.
- B. Plating:
 1. Terminal : Plating is based on 50u" Nickel Under Plating.
 Selective Gold Plated on Contact Touch Area.
- C. Applicable Wire Gauge : 24~26AWG OD:5~6.5mm
- D. Operation Temperature : -40°C to 125°C



MOD - C688X - R - XXu - DXV

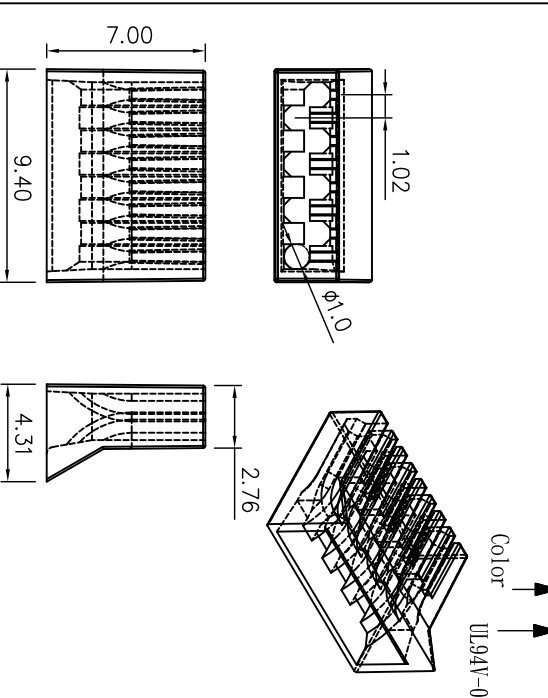
Terminal Type :
 1: 2 Prongs
 3: 3 Prongs

Cable Type :
 R: Round Cable

Plating Option :
 GRu
 6u"
 15u"
 30u"
 50u"

Discern Type
 Color
 UL94V-0

Insert Bar : MOD-C6-DXV



TOLERANCE	SCALE	UNITS : mm	SIZE	SHEET	REV.
.X ±0.250 .XX ±0.150 .XXX±0.100	3 : 1	UNITS : mm	A4	1 OF 1	C
DRAWER <i>Chiu Chuan Siao</i>	CHECK <i>Yhi Yang Siao</i>	DESIGNED <i>Chiu Chuan Siao</i>	APPROVAL <i>Shue Jeng Siao</i>	DATE 6 / 3 / 2014	PART NO. MOD-C688X-R-XXU-DX
NAME <i>SynLight</i> 日亮電子科技有限公司 <i>Sun-Light Electronic Technologies Inc.</i>	Modular Plug RJ45 8P8C Cat-6 Two-Piece	Insert Bar Discern Type	DRAW NO. MOD-C688X-D		
TREMINAL	2 Prongs For Stranded Wire 多芯線用二叉金片	2 Prongs For Solid Wire 單芯線用二叉金片	3 Prongs For Solid Wire 單芯線用三叉金片		