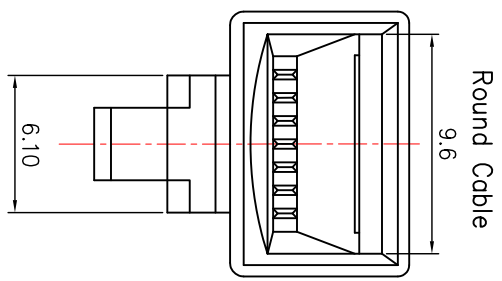
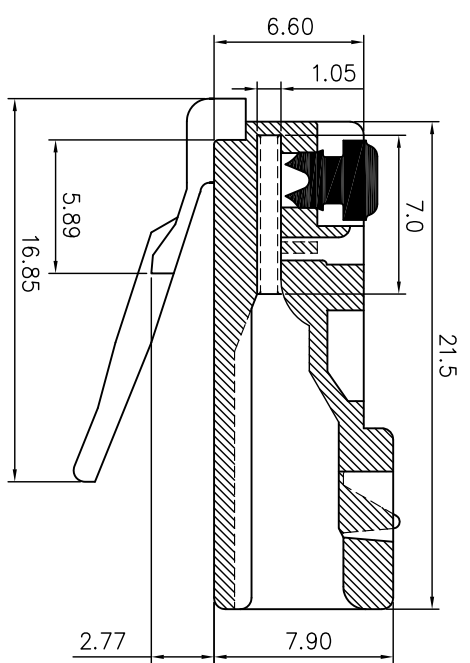
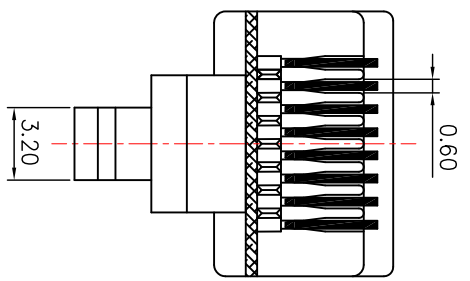
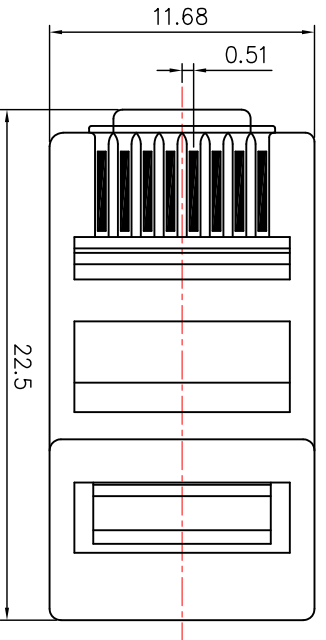


REV.	DESCRIPTION	DATE

NOTE:

- A. Material:
 1. Housing : PC , UL94V-2 / UL94V-0.
 2. Terminal : Copper Alloy.
- B. Plating:
 1. Terminal : Plating is based on 50u" Nickel Under Plating.
 Selective Gold Plated on Contact Touch Area.
 C. Applicable Wire Gauge : 24~26AWG OD:5~6mm
 D. Operation Temperature : -40°C to 125°C



MOD - C88XN - R - XXu" - V

Terminal Type :
 1: 2 Prongs
 3: 3 Prongs

Cable Type :
 R: Round Cable

Plating Option :
 GFu"
 6u"
 15u"
 30u"
 50u"

TERMINAL	2 Prongs For Stranded Wire 多芯線用二叉金片	2 Prongs For Solid Wire 單芯線用二叉金片	3 Prongs For Solid Wire 單芯線用三叉金片

TOLERANCE .X ±0.250 .XX ±0.150 .XXX±0.100	DRAWER <i>Chiu Chuu Siao</i>	 日亮電子科技有限公司 <i>Sun-Light Electronic Technologies Inc.</i>
UNITS : mm	CHECK <i>Mu Jyang Siao</i>	
SCALE 3 : 1	DESIGNED <i>Chiu Chuu Siao</i>	
	APPROVAL <i>Mu Jyang Siao</i>	NAME Modular Plug RJ45 Cat.5E 8P8C Without Insert Bar.
	DATE 01 / 03 / 2014	PART NO. MOD-C88XN-R-XXu"
	SIZE A4	DRAW NO. MOD-C88XN
		SHEET 1 OF 1
		REV. C