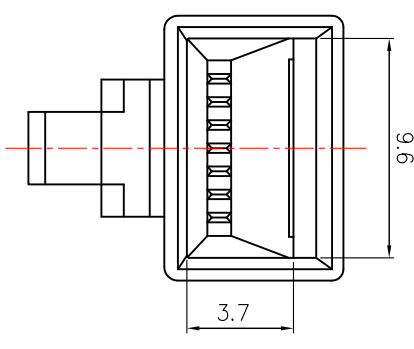
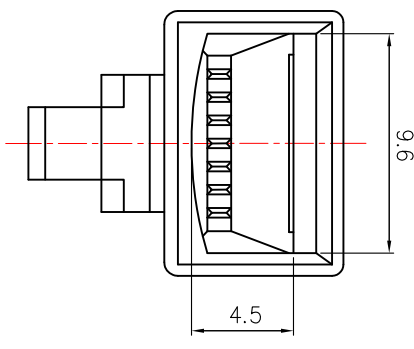
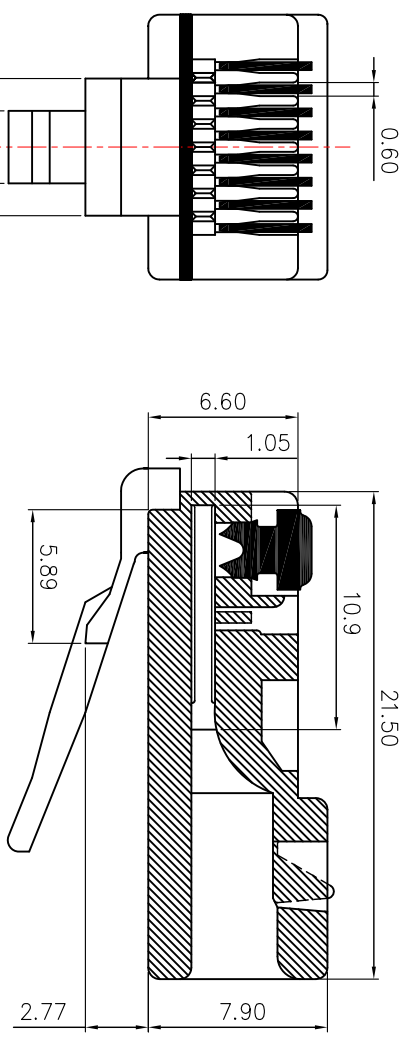
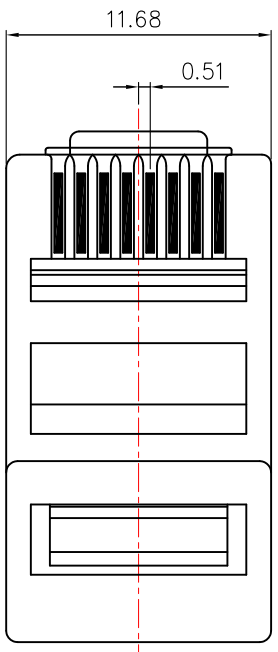


REV.	DESCRIPTION	DATE

NOTE:

- A. Material:
 1. Housing : PC , UL94V-2 / UL94V-0.
 2. Terminal : Copper Alloy.
- B. Plating:
 1. Terminal : Plating is based on 50u" Nickel Under Plating.
 Selective Gold Plated on Contact Touch Area.
- C. Applicable Wire Gauge : 24~26AWG OD:5~6mm
- D. Operation Temperature : -40°C to 125°C



MOD - 88X - X - XXu" - V

Terminal Type :
 1: 2 Prongs
 2: 2 Prongs For Solid
 3: 3 Prongs

Cable Type :
 F: Flat Cable
 R: Round Cable

Plating Option :
 GFu"
 6u"
 15u"
 30u"
 50u"

UL94V-0

TREMINAL			
2 Prongs For Stranded Wire 多芯線用二叉金片	2 Prongs For Solid Wire 單芯線用二叉金片(大拐角)	3 Prongs For Solid Wire 單芯線用三叉金片	

TOLERANCE .X ±0.250 .XX ±0.150 .XXX±0.100		DRAWER <i>Chiu Chuu Sine</i>	
UNITS : mm		CHECK <i>Mi Jyang Sine</i>	DESIGNED <i>Chiu Chuu Sine</i>
SCALE 3 : 1		APPROVAL <i>Mi Jyang Sine</i>	DATE 06 / 24 / 2010
SIZE A4		NAME SynLight 日亮電子科技有限公司 <i>Sun-Light Electronic Technologies Inc.</i>	
PART NO. MOD-88X-X-XXu"		DRAW NO. MOD-88X	
SHEET 1 OF 1		REV. C	
		Modular Plug RJ45 8P8C Standard Type	